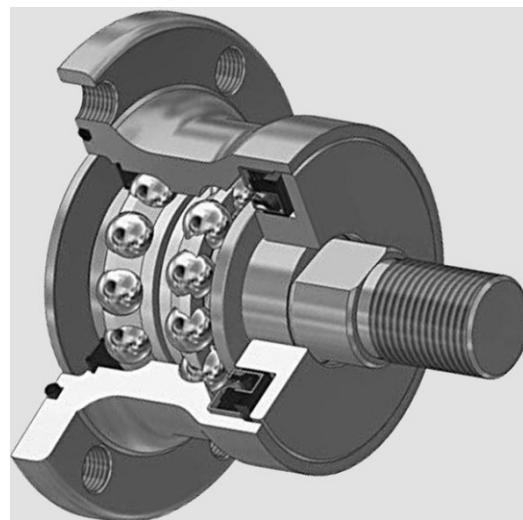


AGRI HUB BEARING UNITS

VKE





VKE Agri Solutions - disc harrow

How to handle harsh conditions such as mud, water, dust and crop residues for independent disc applications, VKE offers both bearings and complete hub units the most effective solutions is the VKE Agri Hub, consisting of double row angular contact ball bearings which are greased and sealed for-life, a cassette seal, stub shaft for the arm interface and flange for the disc mountoing.

If the disc harrow bearing are not customized design and prepared for these kind of conditions, it easily lead to damage and earlier life failure. especially when the seal fails or if a re-lubricated bearing is not regularly regreased. this lead to lower the productivity, increase maintenance costs and reduce overall profitability. It can also impact the precision and the quality of the farmer's work.

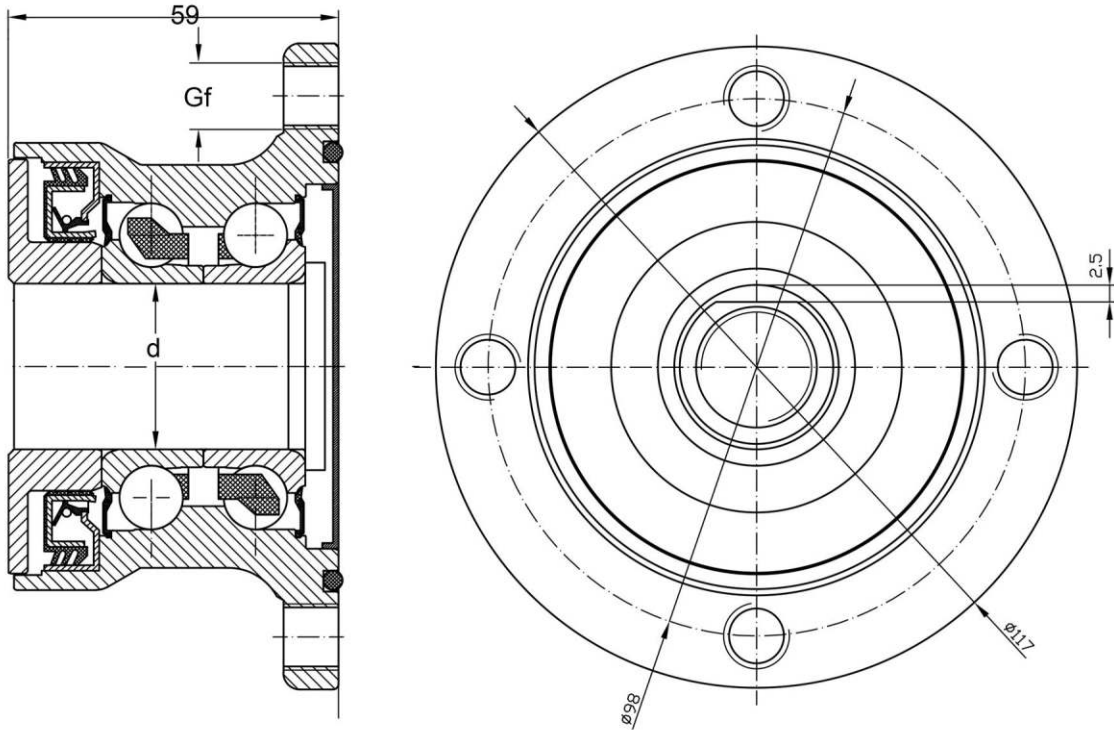
Particular distinguishing features: Enhanced sealing system
 Optimized contact angle and load capacity Provides better bearing rigidity Industry-leading corrosion protection extends service life

Benefits from VKE Agri Hub

- Cost-effective solution
- Higher product quality and reliability
- Supports sustainability efforts
- Reduce assembly times
- Increased farm productivity and proitability
- Relubrication-free
- Environmentally friendly
- Easy to install/replace



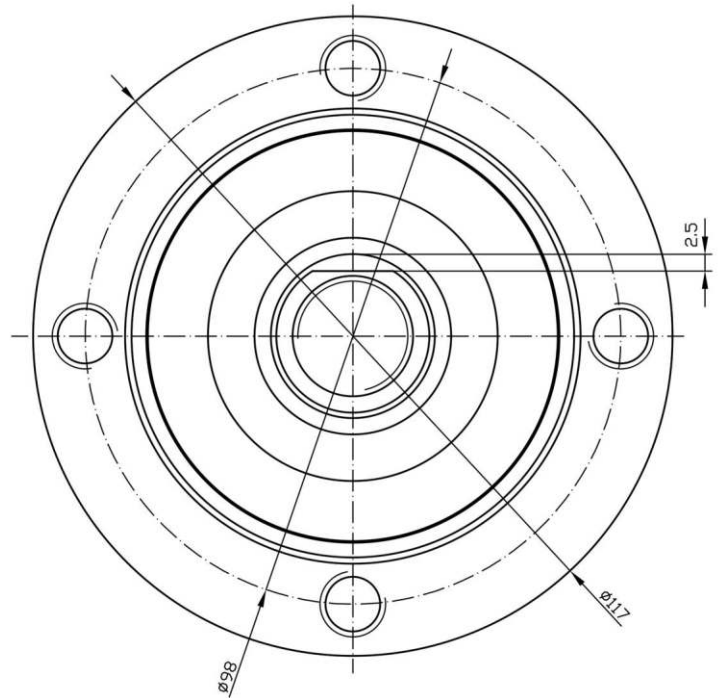
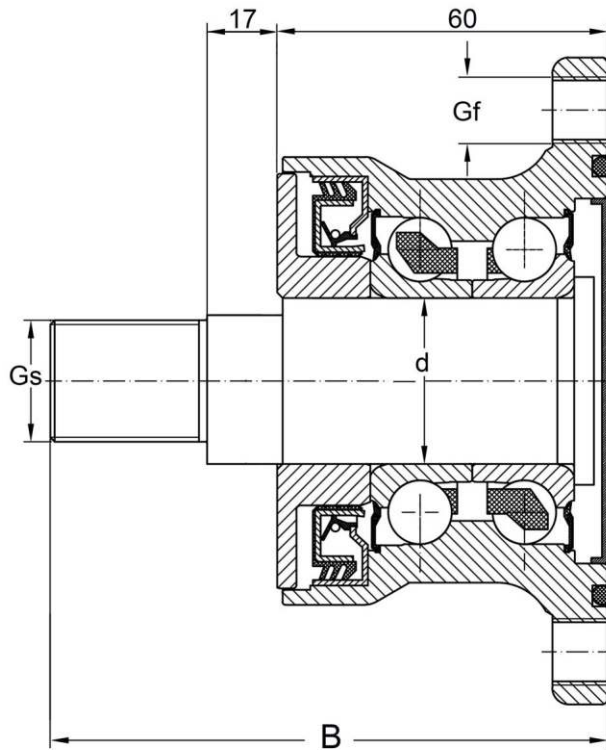
BAA-0003



Designation	BAA 0003	
Width (overall)	B	59mm
Shaft	d	28 mm
Included	No	
Thread	Gs	M22 X 1.5 (Male) mm
Flange -mounting threads/holes		
No	4	
Threads	Gf	M12 x1.25 mm
Pitch Diameter	98 mm	
Outer diameter	117 mm	



BAA-0004



Designation **BAA-0004**

Width (overall) B 102 mm

Shaft d 28 mm

Included Yes

Thread Gs M22 X 1.5 (Male) mm

Flange - mounting threads/holes

No 4

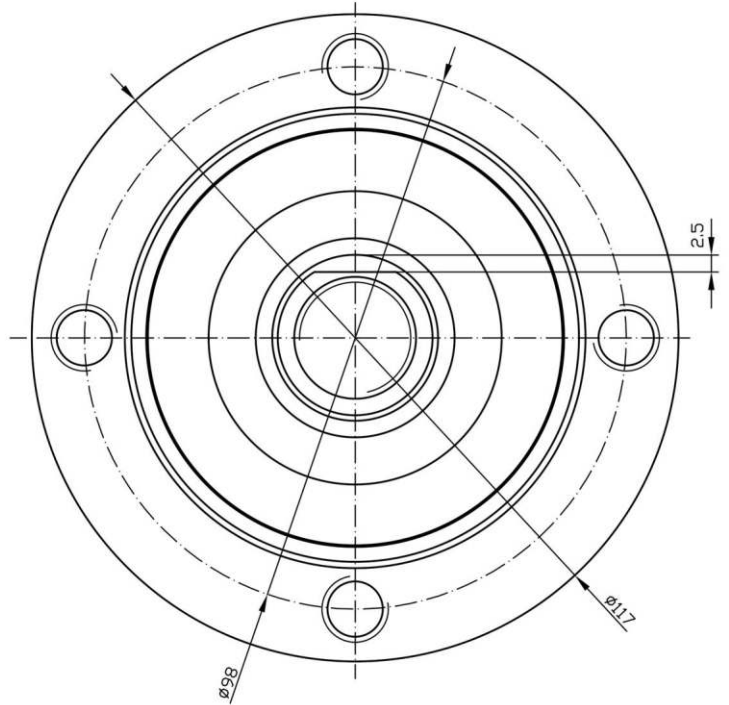
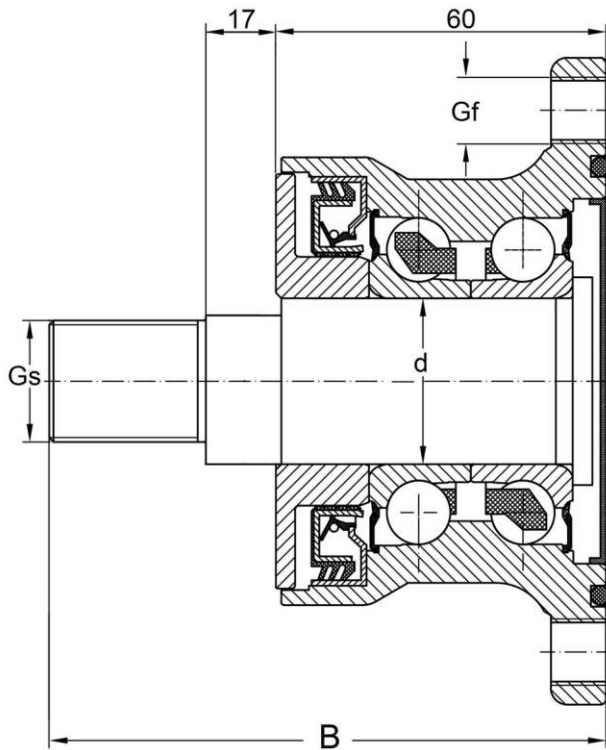
Threads Gf M12 x1.25 mm

Pitch Diameter 98 mm

Outer diameter 117 mm



BAA-0005



Designation BAA-0005

Width (overall) B 105 mm

Shaft d 30 mm

Included Yes

Thread Gs M24 X 2 (Male) mm

Flange - mounting threads/holes

No 4

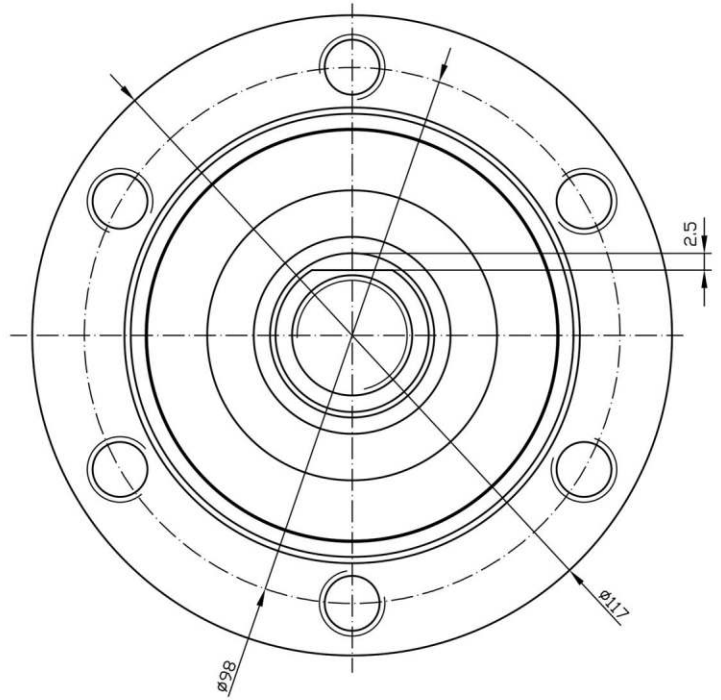
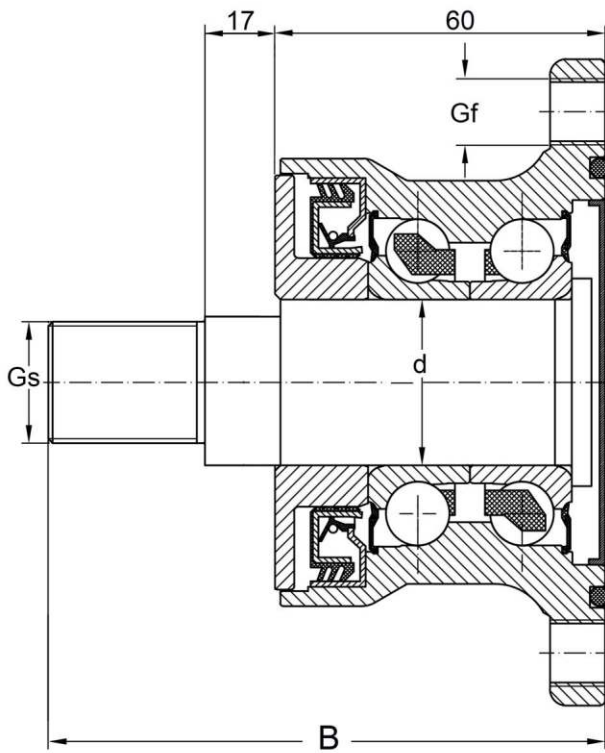
Threads Gf M12 x1.25 mm

Pitch Diameter 98 mm

Outer diameter 117 mm



BAA-0006



Designation BAA-0006

Width (overall) B 102 mm

Shaft d 28 mm

Included Yes

Thread Gs M22 X 1.5 (Male) mm

Flange - mounting threads/holes

No 6

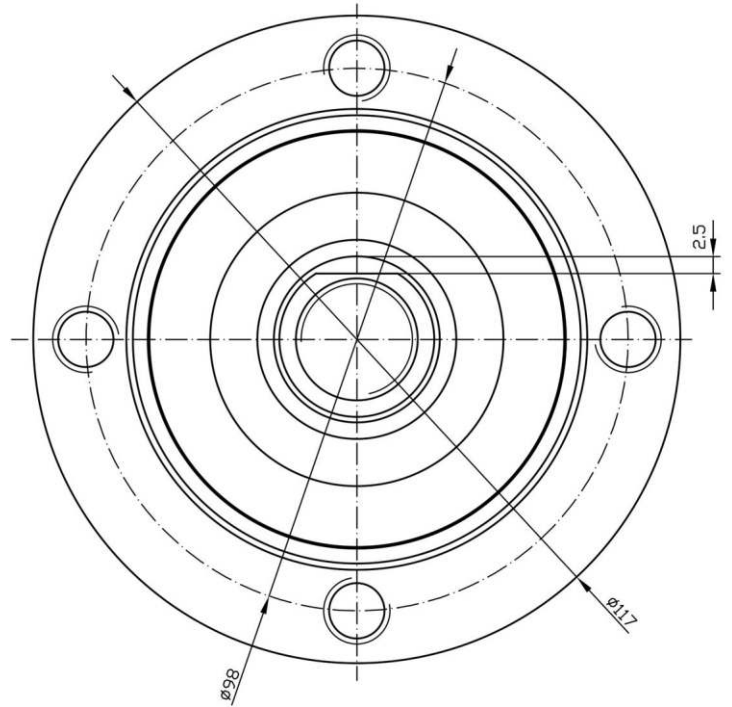
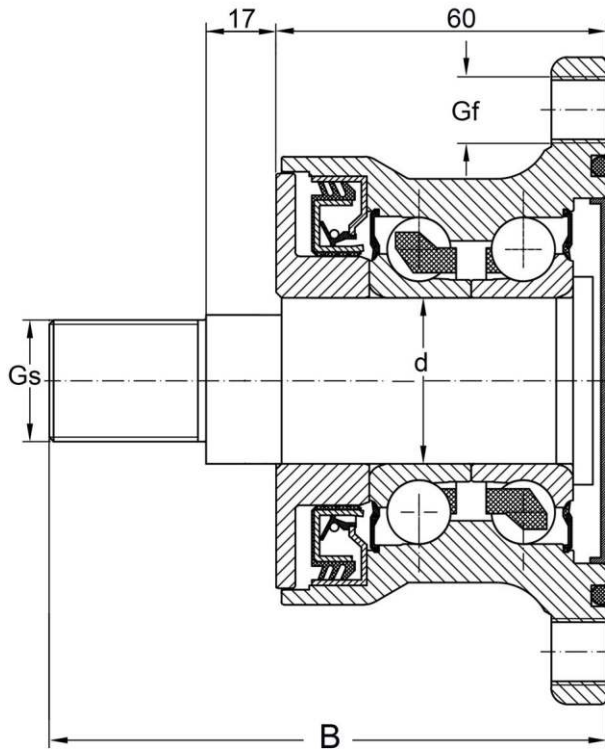
Threads Gf M12 x1.25 mm

Pitch Diameter 98 mm

Outer diameter 117 mm



BAA-0009



Designation BAA-0009

Width (overall) B 106 mm

Shaft d 30 mm

Included Yes

Thread Gs M24 X 2 (Male) mm

Flange - mounting threads/holes

No 4

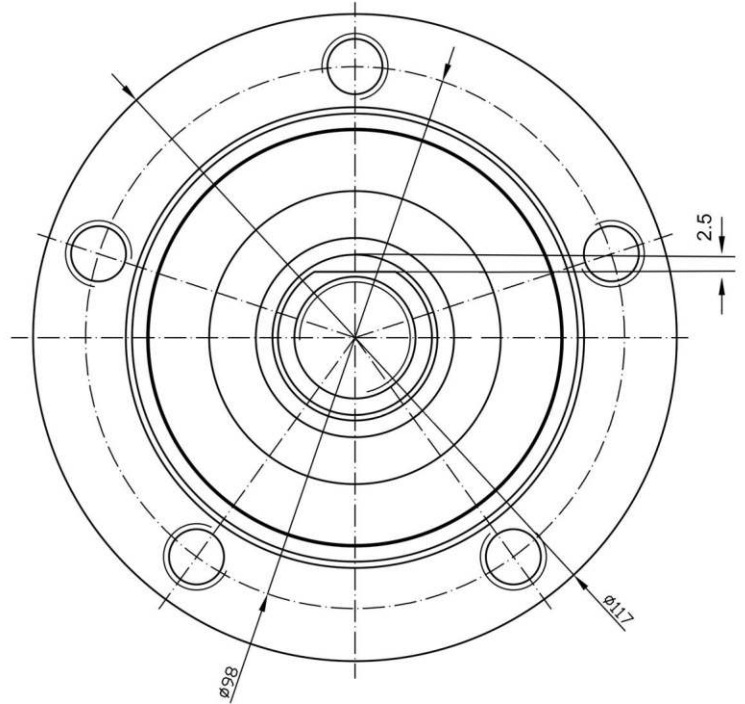
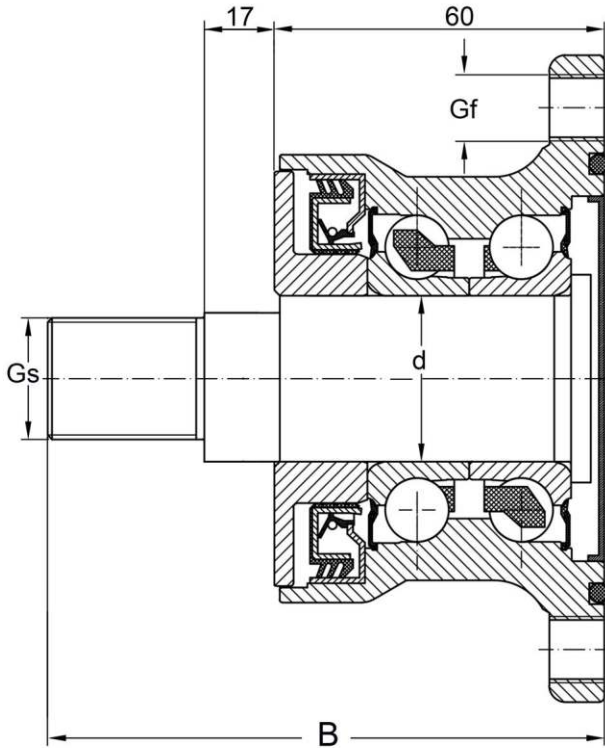
Threads Gf M12 x1.25 mm

Pitch Diameter 98 mm

Outer diameter 117 mm



BAA-0012



Designation BAA-0012

Width (overall) B 102 mm

Shaft d 28 mm

Included Yes

Thread Gs M22 X 1.5 (Male) mm

Flange -mounting threads/holes

No 5

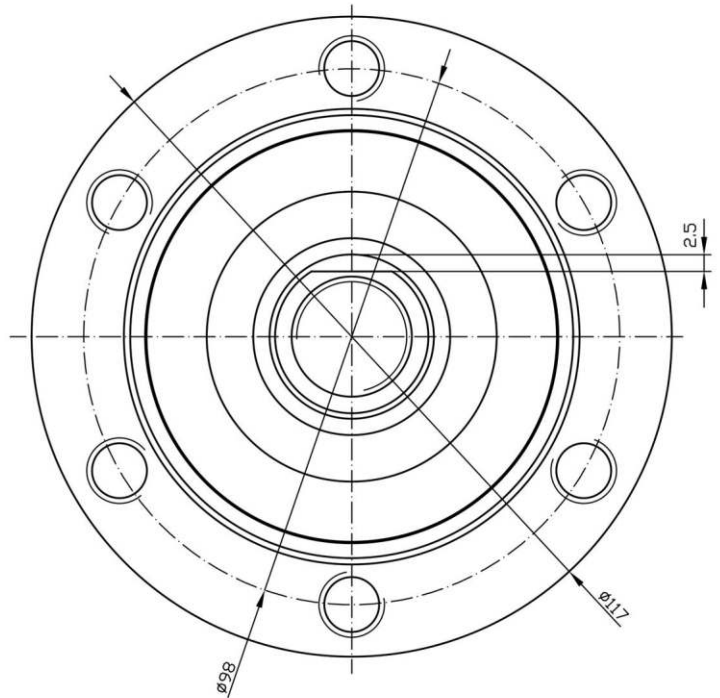
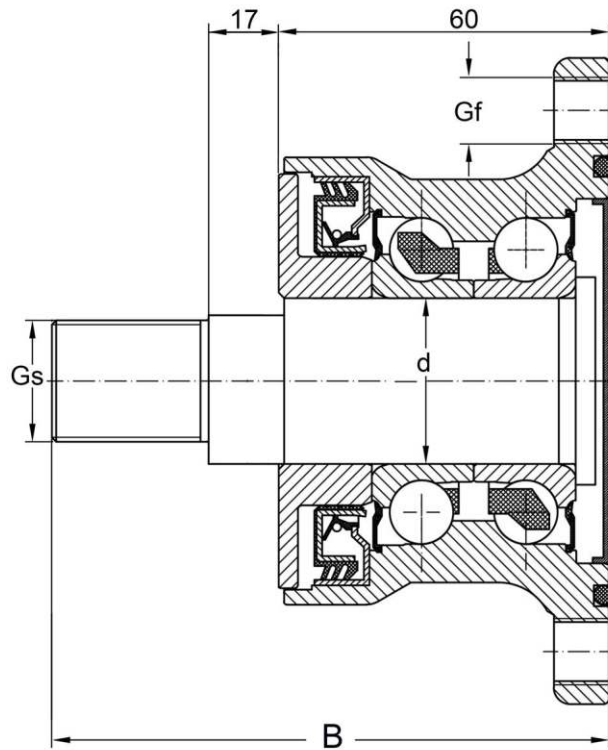
Threads Gf M12 x1.25 mm

Pitch Diameter 98 mm

Outer diameter 117 mm



BAA-0013

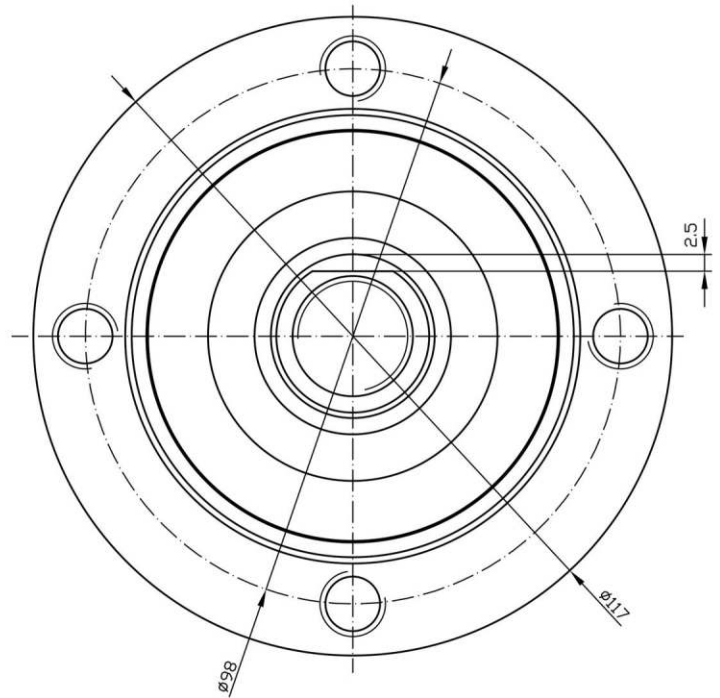
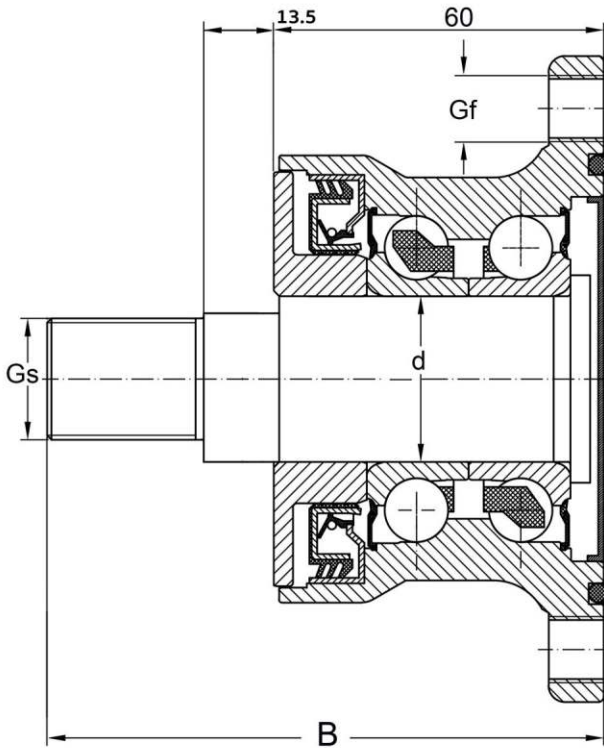


Designation BAA-0013

Width (overall)	B	106 mm
Shaft	d	30 mm
Included	Yes	
Thread	Gs	M24 X 2 (Male) mm
Flange -mounting threads/holes		
No	4	
Threads	Gf	M12 x1.25 mm
Pitch Diameter		98 mm
Outer diameter		117 mm



BAA-0023



Designation BAA-0023

Width (overall) B 102 mm

Shaft d 28 mm

Included Yes

Thread Gs M22 X 1.5 (Male) mm

Flange - mounting threads/holes

No 4

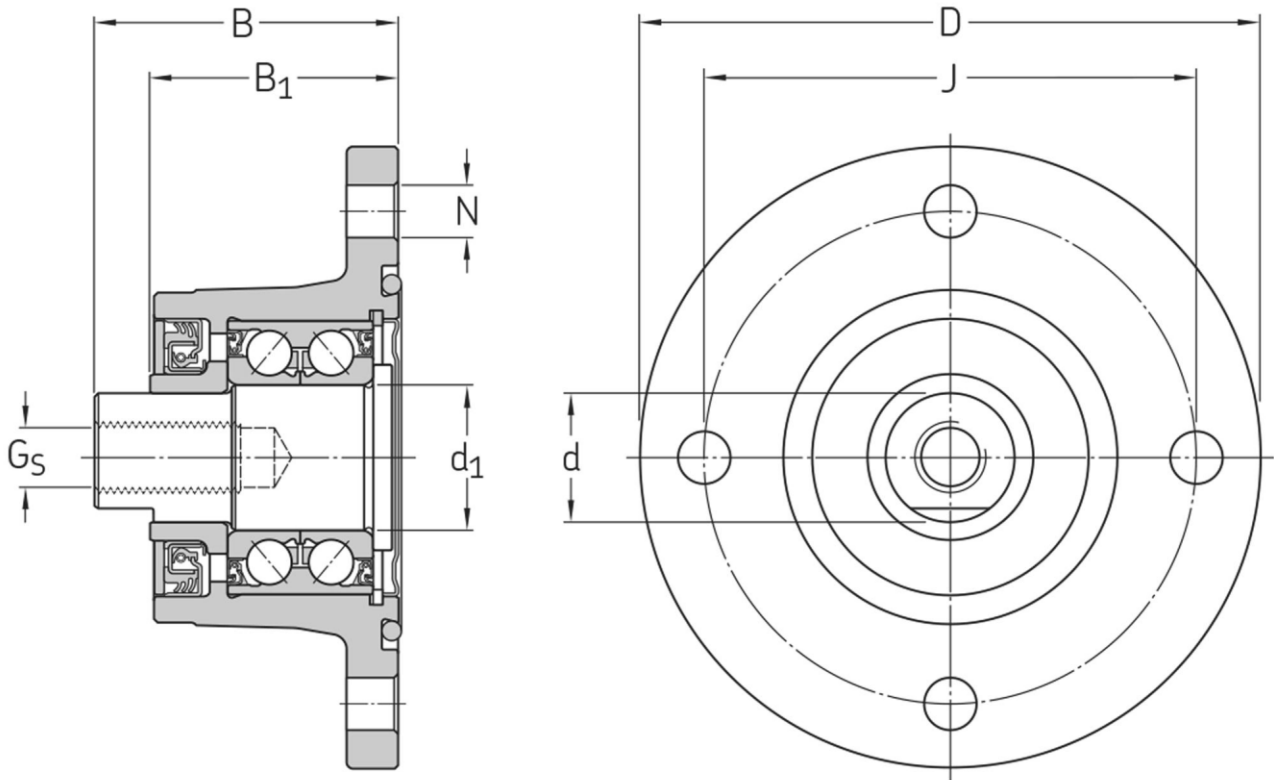
Threads Gf M12 x1.25 mm

Pitch Diameter 98 mm

Outer diameter 117 mm



BAA-0026



Designation BAA-0026

Flange mounting Width (overall) B 82 mm
 B1 67 mm

Shaft d 34.9 mm

1 39mm
 ncluded Yes

Shaft thread Gs Female 3/4- 16 UNF

Flange mounting threads/holes

No 4

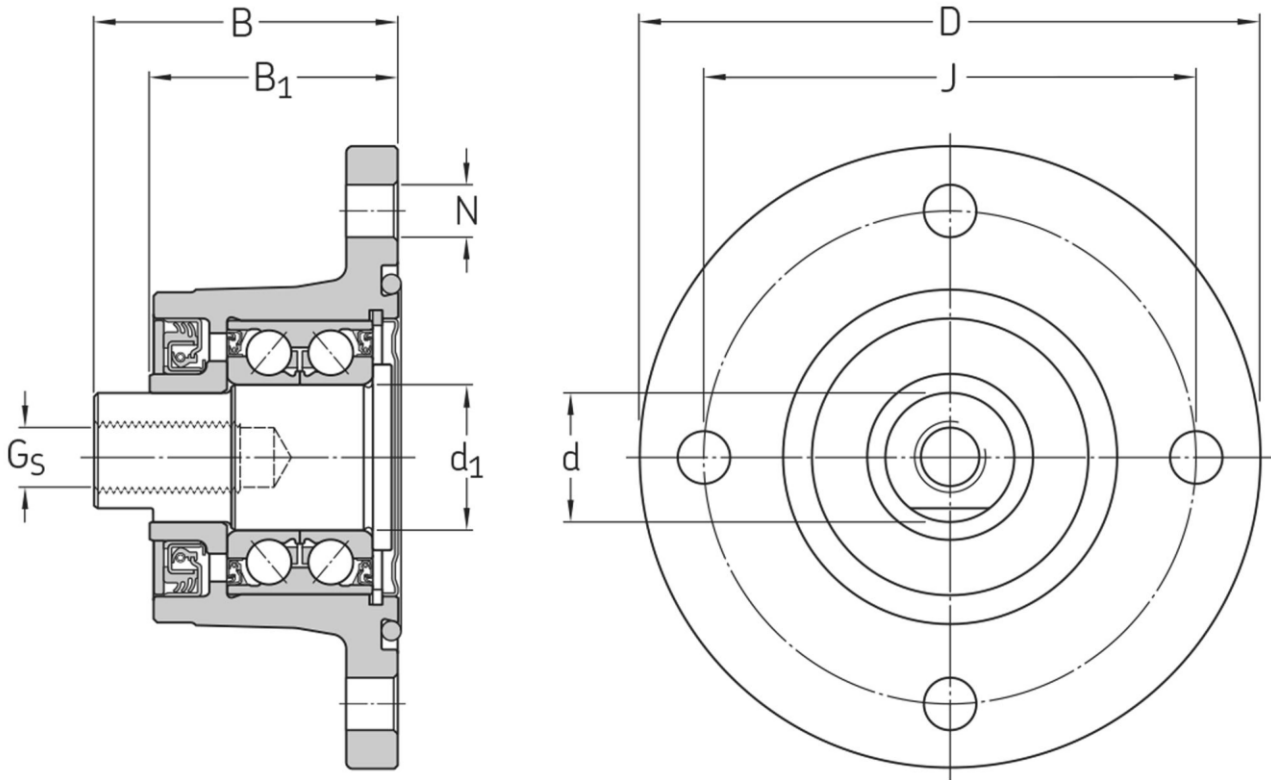
Threads N 13.50 mm

Pitch Diameter 133.35 mm

Outer diameter 168 mm



BAA-0029



Designation BAA-0029

Flange mounting Width (overall) B 82 mm
 B1 67 mm

Shaft d 34.9 mm

d1 39mm

included Yes

Shaft thread Gs Female 3/4-16 UNF

Flange-mounting threads/holes

No 4

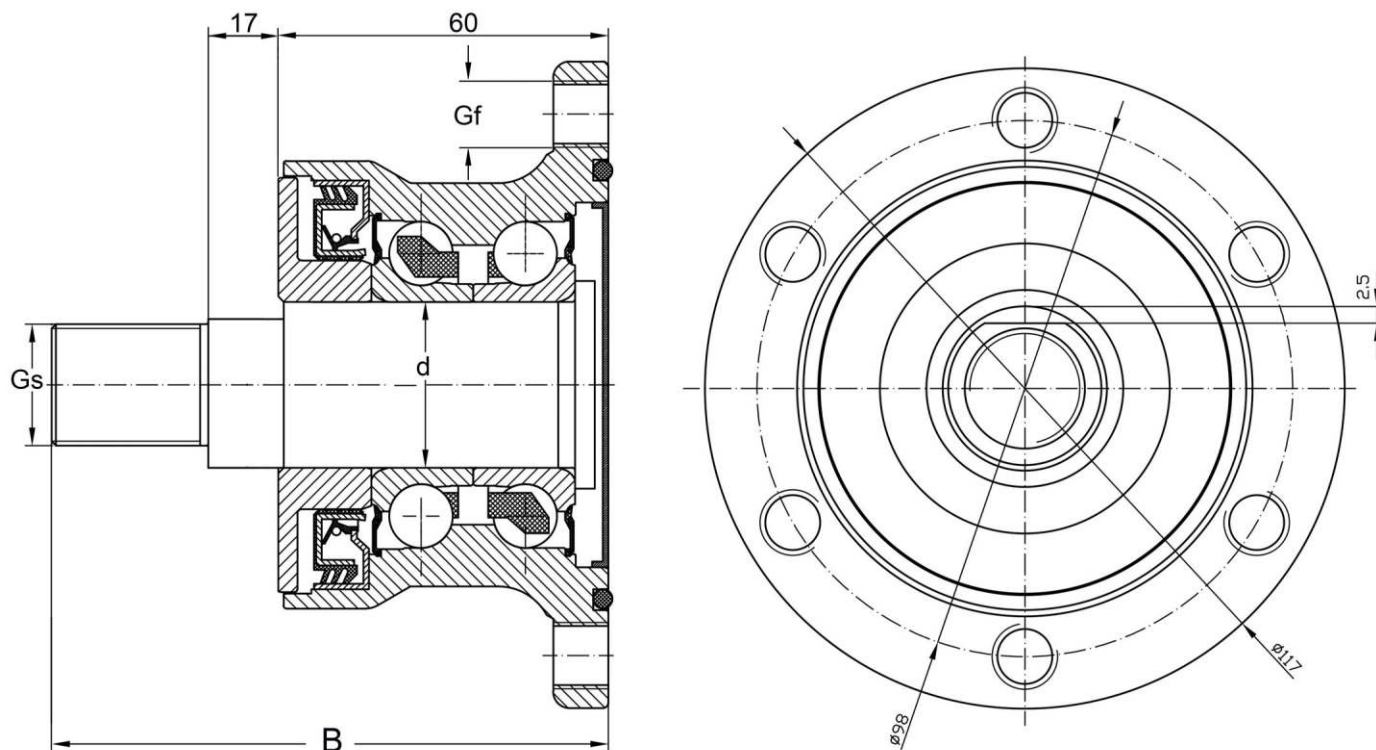
Threads N M12 X1.75-metric

Pitch Diameter 133.35 mm

Outer diameter 168 mm



BAA-0013



Designation BAA-0013

Width (overall) B 106 mm

Shaft d 30 mm

Included Yes

Thread Gs M24 X 2 (Male) mm

Flange-mounting threads/holes

No 4

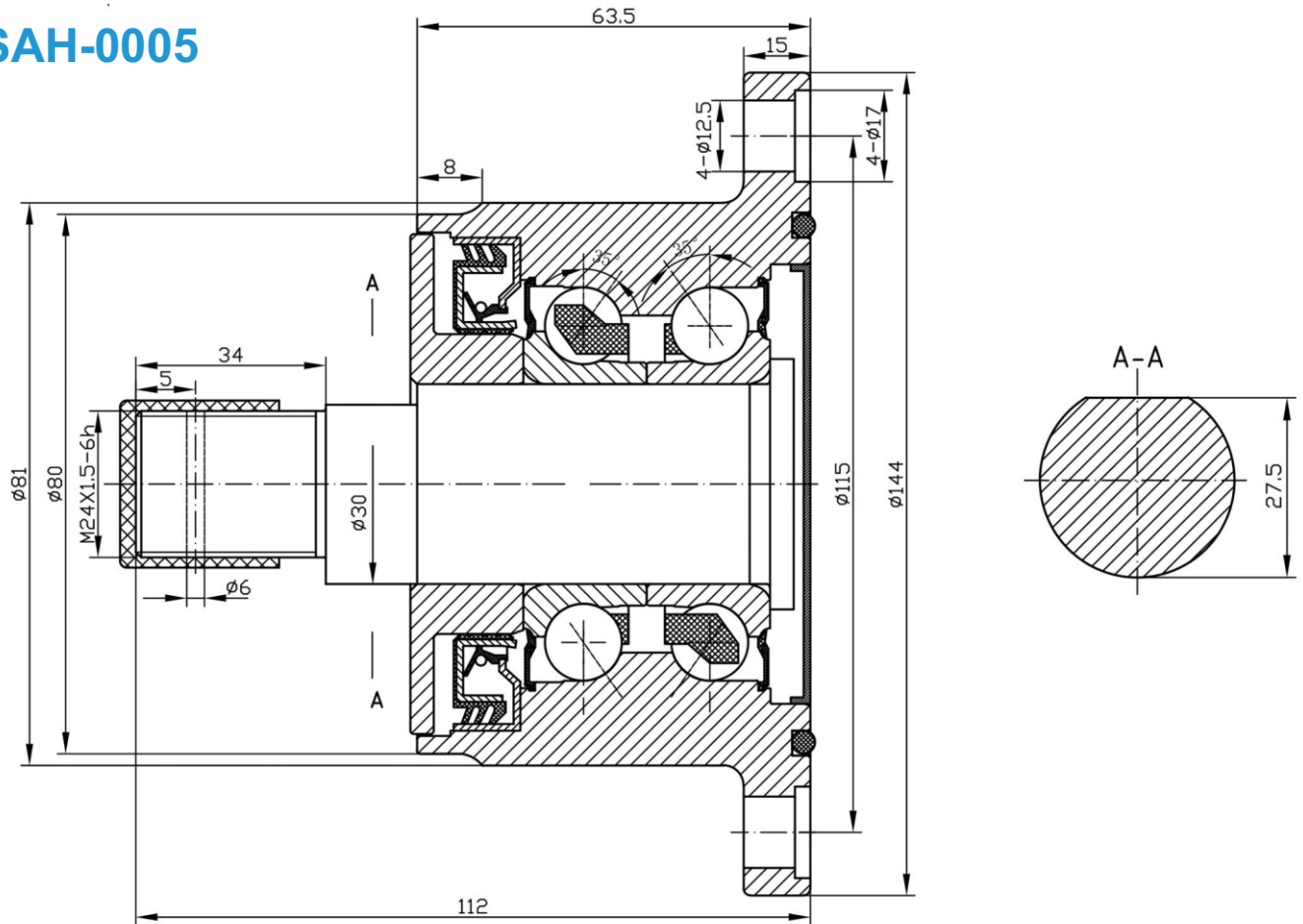
Threads Gf M12 x1.25 mm

Pitch Diameter 98 mm

Outer diameter 117 mm



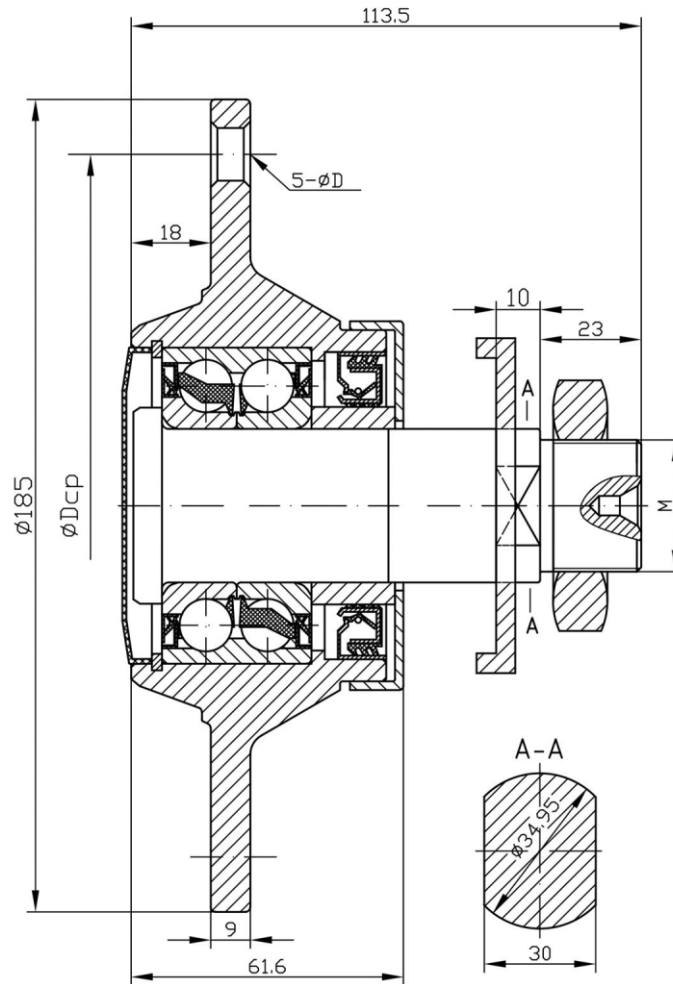
SAH-0005



Designation	SAH-0005	
Width (overall) B	112	mm
Shaft d	30	mm
Included	Yes	
Flange -mounting threads/holes	No 4	
Threads Gf	M24 x1.5	mm
Pitch Diameter	115	mm
Outer diameter	144	mm



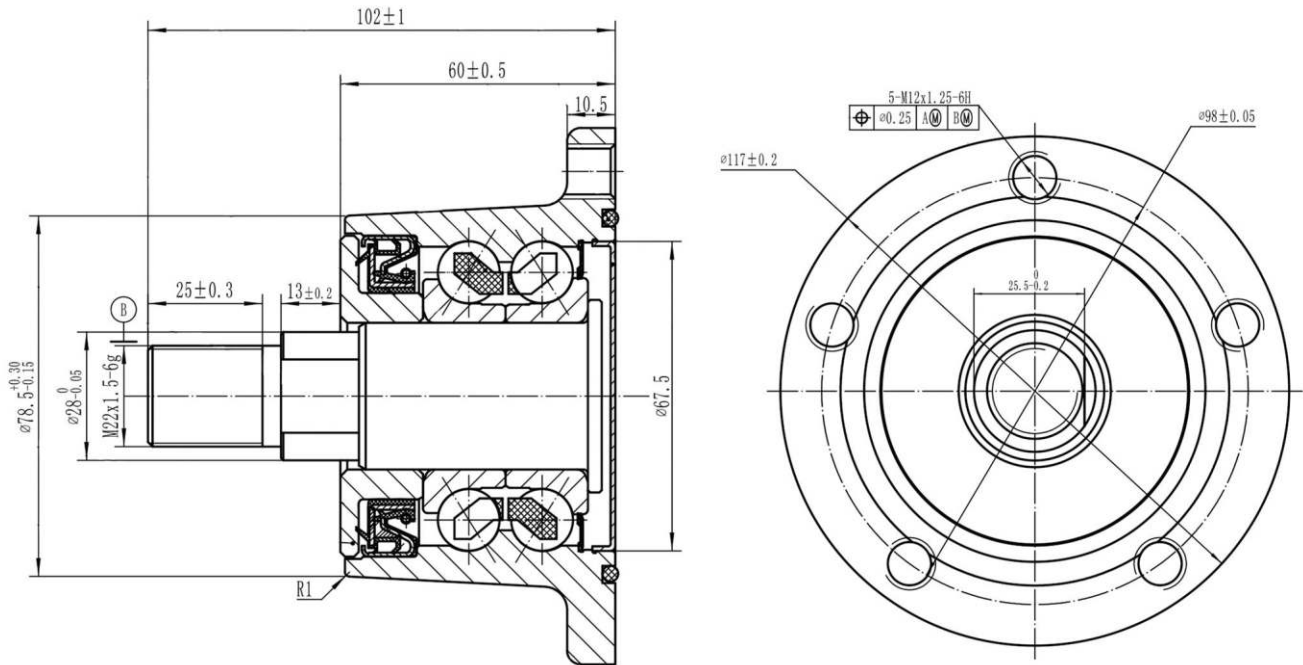
PL-185-M30-R



Designation	PL-185-M30-R	
Width (overall)	B	113.5 mm
Shaft	d	35 mm
Included	Yes	
Flange - mounting threads/holes	No 5	
Threads	Gf	M30 x1.5 mm
Pitch Diameter	160 mm	
Outer diameter	185 mm	



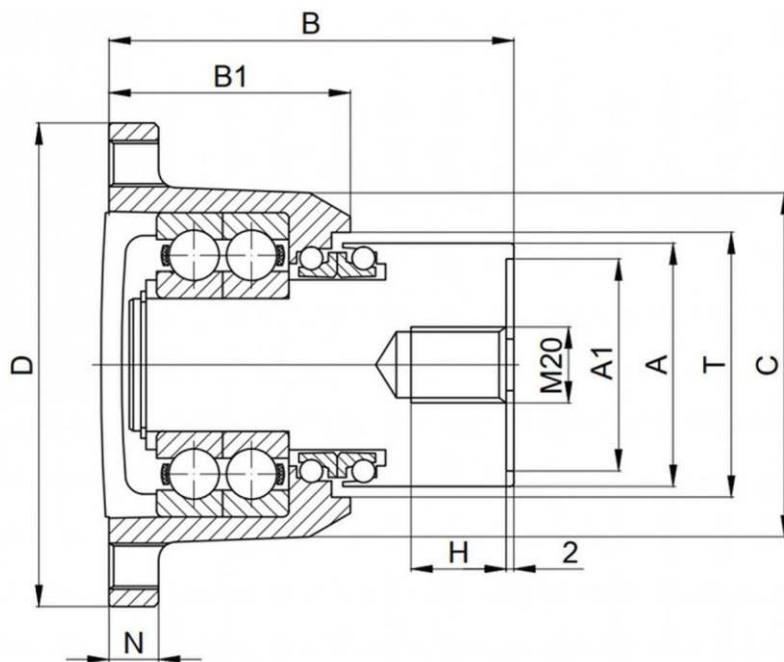
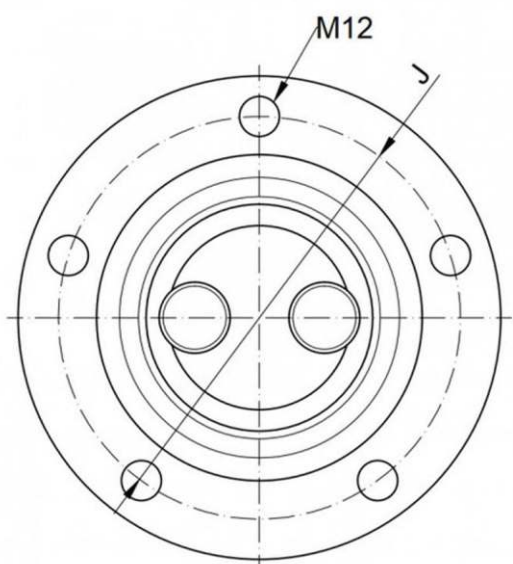
IL50-98/5T-M22



- Designation **IL50-98/5T-M22**
- Width (overall) 102 mm
- Shaft mm
- Included Yes
- Thread Gs M22 X 1.5 (Male) mm
- Flange mounting threads/holes
- No 5
- Threads Gf M12 x1.25 mm
- Pitch Diameter 98 mm
- Outer diameter 117 mm



PL-127/28071300/PN60041



Designation PL-127

Weight:

4,00 KGS

D:
127,3 mm

B:
106,5 mm

C:
90,4 mm

B1:
63,5 mm

T:
69,5 mm

A:
64,2 mm

A1:
55,7 mm

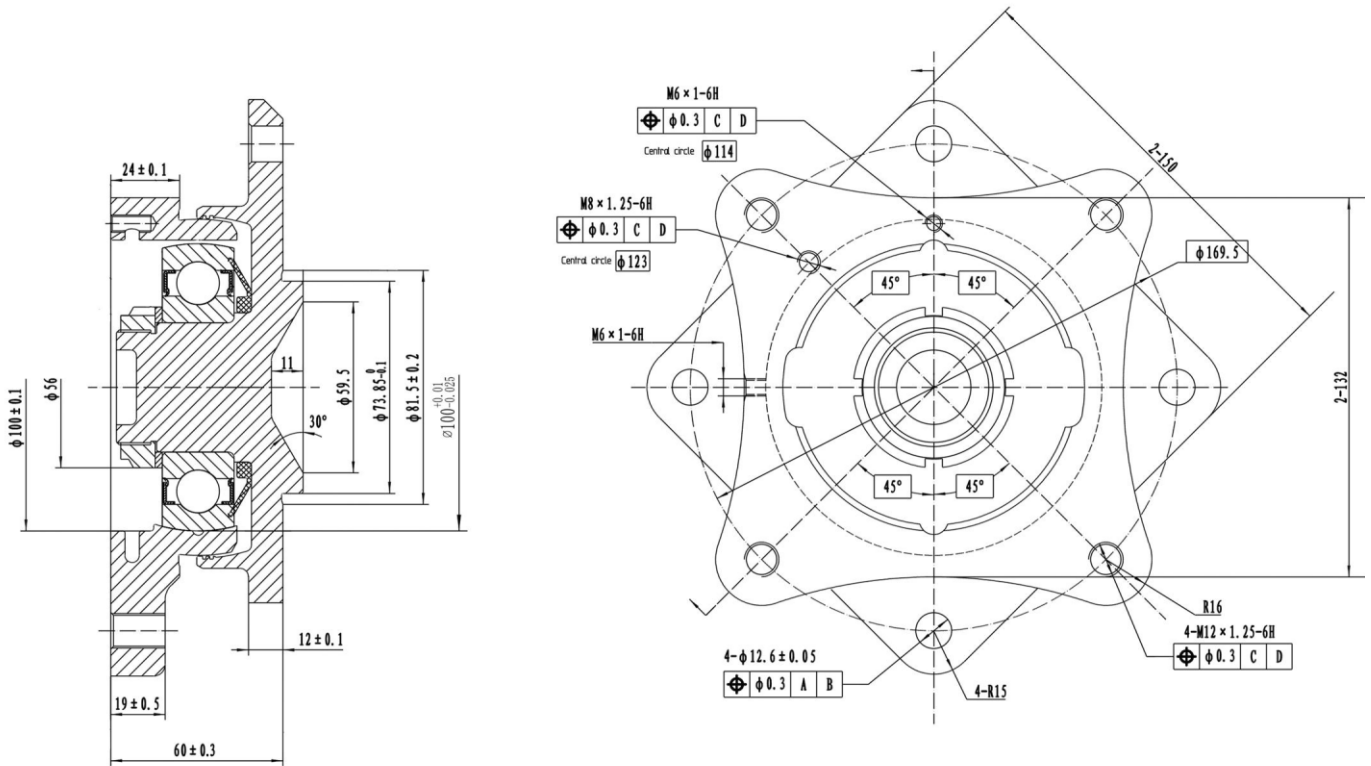
H:
25mm

J:
106 mm

N:
13 mm



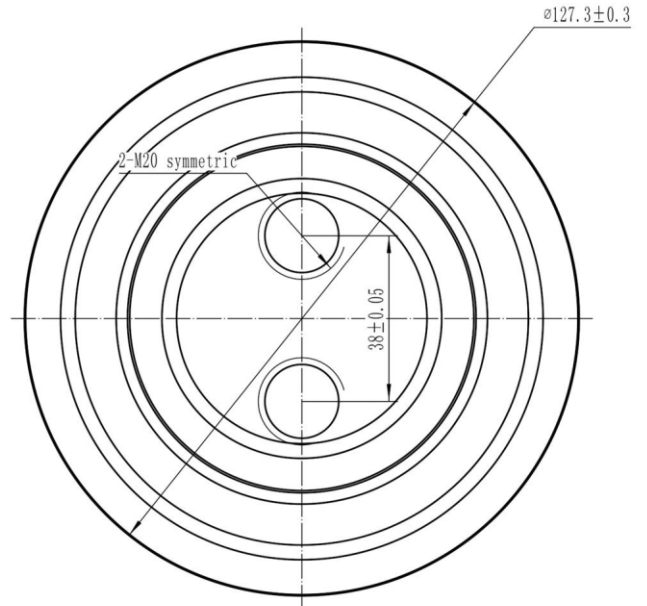
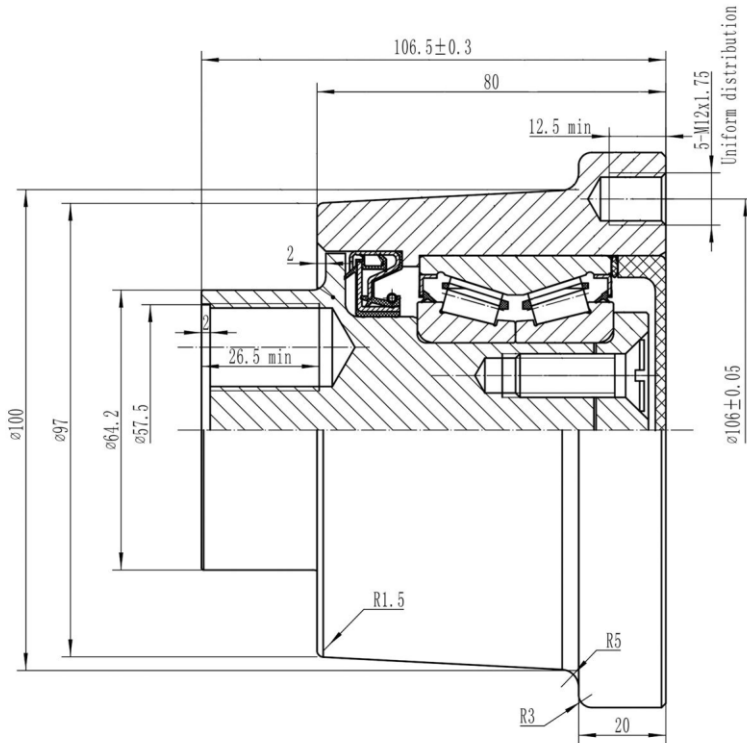
PN00102



Designation PN00102
 Width (overall) 60 mm
 Shaft mm
 Included No
 Flange - mounting threads/holes
 No 4
 Threads Gf M12 x1.25 mm
 Pitch Diameter 169.5 mm



PN70042



Designation PN70042

Flange mounting Width (overall) 106.5 mm

Shaft mm

included No

Shaft thread Gs Female 20mm

Flange - mounting threads/holes

No 5

Threads M12 X1.75-metric

Pitch Diameter mm

Outer diameter 127.3 mm



Официальный импортер VKE Group - Базовая техника

sales@baztehshop.ru

8 (812) 740-12-27

