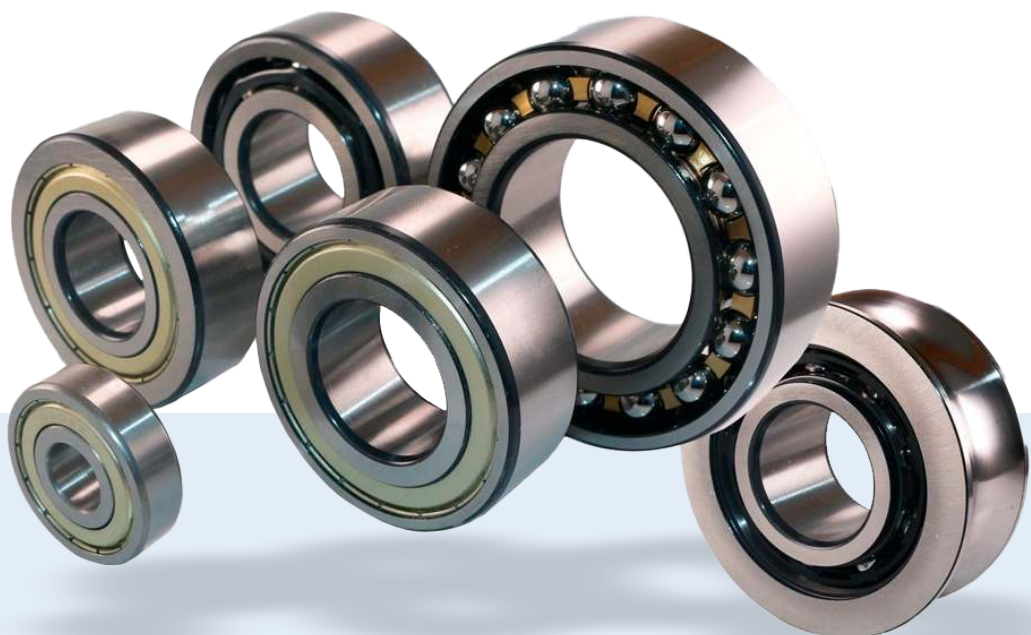


**DOUBLE ROW ANGULAR
CONTACT BEARINGS**

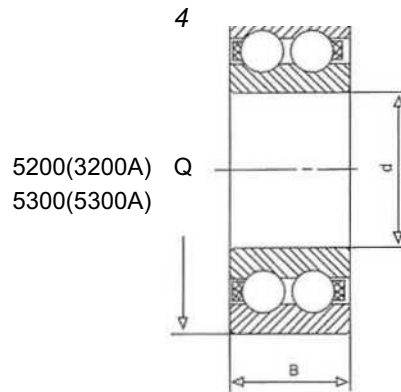
VKE



Open type double-row angular contact ball bearing



Open double-row angular contact ball bearings use oil lubrication to achieve higher limit speed the double-row angular contact ball bearing can bear axial forces from both directions and higher radial force. Particularly suitable for the bearing configuration requiring rigid axial bearing guide (the components for limiting the twoway axial displacement of shaft and shell). Widely used in high-precision machine tools and equipments applied in automotive air-conditioners, motors, water pumps, oil pumps, cutting machines, reducers, prospecting machines, polishing machines, diesel engines, textile machinery, steel mills and other industries

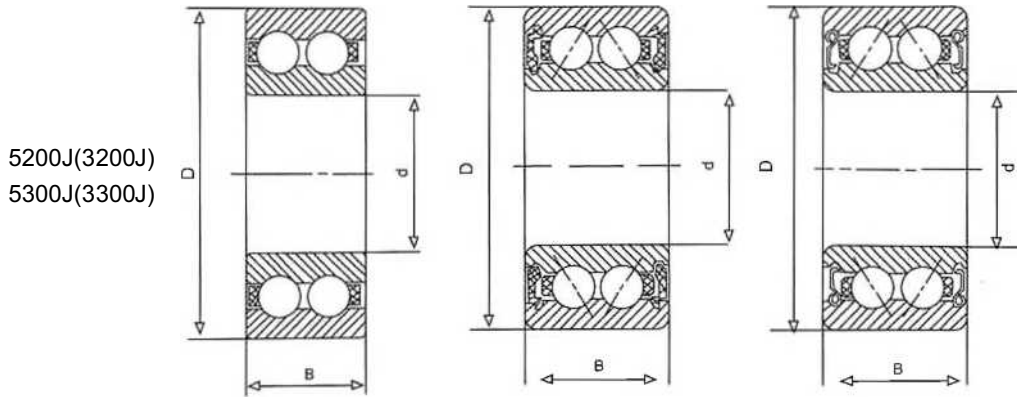


Bearing No		Dimensions (mm)			Rated load (KN)		Limited Speed (rpm)		Weight
Old code name	New code name	d	D	B	Cr	Cor	Lubricating oil	Grease	Mass(kg)
3056200	3200	10	30	14.3	7.0	3.8	20000	15000	0.049
3056201	3201	12	32	15.9	9.2	5.1	19000	14000	0.057
3056202	3202	15	35	15.9	10.0	6.1	16000	12000	0.064
3056203	3203	17	40	17.5	12.8	7.9	14000	10000	0.096
3056204	3204	20	47	20.6	19.0	12.1	12000	8000	0.153
3056205	3205	25	52	20.6	20.6	14.3	10000	7500	0.175
3056206	3206	30	62	23.8	28.6	20.4	8500	6500	0.286
3056207	3207	35	72	27	38.0	27.8	7500	5500	0.436
3056208	3208	40	80	30.2	42.5	32.5	7000	5300	0.590
3056209	3209	45	85	30.2	48.0	37.0	6500	5000	0.640
3056210	3210	50	90	30.2	51.0	42.0	6000	4500	0.689
3056211	3211	55	100	33.3	63.0	53.0	5800	4400	0.986
3056212	3212	60	110	36.5	71.5	58.5	5300	4000	1.270
3056213	3213	65	120	38.1	83.5	72.5	4800	4000	1.570
3056214	3214	70	125	39.7	87.5	79.5	4400	3800	1.800
3056215	3215	75	130	41.3	90.0	80.5	3600	3600	1.900
3056216	3216	80	140	44.4	106	95.5	3600	2800	2.390
3056217	3217	85	150	49.2	112	106	3500	2400	3.060
3056218	3218	90	160	52.4	140	129	3200	2200	3.730
3056219	3219	95	170	55.6	163	184	3000	2000	5.100
3056220	3220	100	180	60.3	210	240	2500	1900	6.140
3056221	3221	105	190	65.1	210	240	2200	1600	7.400
3056222	3222	110	200	69.8	218	245	2000	1400	9.200
3056300	3300	10	35	19	9.2	5.1	19000	14000	0.092
3056301	3301	12	37	19	10.0	6.1	17000	12000	0.109
3056302	3302	15	42	19	12.8	7.9	15000	10000	0.132
3056303	5303	17	47	22.2	20.4	12.1	12000	8000	0.181
3056304	3304	20	52	22.2	20.6	12.7	12000	8000	0.227
3056305	3305	25	62	25.4	30.5	20.5	10000	7500	0.362
3056306	3306	30	72	30.2	39.5	27.5	8000	6500	0.553
3056307	3307	35	80	34.9	49.5	35.0	7000	5300	0.766
3056308	3308	40	90	36.5	60.5	44.0	6500	5000	1.010
3056309	3309	45	100	39.7	72.5	54.0	5600	4300	1.340
3056310	3310	50	110	44.4	85.5	64.5	5300	4000	1.810
3056311	3311	55	120	49.2	106	82.0	4800	3600	2.320
3056312	3312	60	130	54	122	95.5	4500	3500	3.050
3056313	3313	65	140	58.7	138	109	4000	3000	3.960
3056314	3314	70	150	63.5	155	125	3800	2800	4.740
3056315	3315	75	160	68.3	168	141	3200	2600	5.650
3056316	3316	80	170	68.3	175	151	3000	2200	7.210
8056317	3317	85	180	73	196	240	3000	2000	8.300
3056318	3318	90	190	73	225	266	3000	2000	9.015
3056319	3319	95	200	77.8	259	284	2700	1800	11.160
3056320	3320	100	215	82.6	299	345	2200	1500	14.200

Crown type steel retainer double-row angular contact ball bearing



Crown type steel retainer double-row angular contact ball bearing has higher heat resistance than that of nylon retainer; in addition, it also has the features of higher revolving speed and wear resisting and can normally be used under the temperature condition as high as 120 °C to 160 °C. The double-row angular contact ball bearing can bear axial forces from both directions and higher radial force. Particularly suitable for the bearing configuration requiring rigid axial bearing guide (the components for limiting the two-way axial displacement of shaft and shell). Widely used in high-precision machine tools and equipments applied in automotive airconditionings, motors, water pumps, oil pumps, cutting machines, reducers, prospecting machines, polishing machines, diesel engines, textile machinery, steel mills and other industries.



Bearing No			Dimensions (mm)			Rated load (KN)		Limited Speed (rpm)		Weight
Old code name	New code name	Sealing ring	d	D	B	Cr	Cor	Lubricating oil	Grease	Mass(kg)
3200J	3200J-zz	3200J-2RS	10	30	14.3	7.0	3.8	20000	15000	0.049
3201J	3201J-zz	3201J-2RS	12	32	15.9	9.2	5.1	19000	14000	0.057
3202J	3202J-zz	3202J-2RS	15	35	15.9	10.0	6.1	16000	12000	0.064
3203J	3203J-ZZ	3203J-2RS	17	40	17.5	12.8	7.9	14000	10000	0.096
3204J	3204J-ZZ	3204J-2RS	20	47	20.6	19.0	12.1	12000	8000	0.153
3205J	3205J-ZZ	3205J-2RS	25	52	20.6	20.6	14.3	10000	7500	0.175
3206J	3206J-zz	3206J-2RS	30	62	23.8	28.6	20.4	8500	6500	0.286
3207J	3207J-zz	3207J-2RS	35	72	27	38.0	27.8	7500	5500	0.436
3208J	3208J-zz	3208J-2RS	40	80	30.2	42.5	32.5	7000	5300	0.590
3209J	3209J-ZZ	3209J-2RS	45	85	30.2	48.0	37.0	6500	5000	0.640
3210J	3210J-ZZ	3210J-2RS	50	90	30.2	51.0	42.0	6000	4500	0.689
3211J	3211J-zz	3211J-2RS	55	100	33.3	63.0	53.0	5800	4400	0.986
3212J	3212J-zz	3212J-2RS	60	110	36.5	71.5	58.5	5300	4000	1.270
3213J	3213J-zz	3213J-2RS	65	120	38.1	83.5	72.5	4800	4000	1.570
3214J	3214J-zz	3214J-2RS	70	125	39.7	87.5	79.5	4400	3800	1.800
3215J	3215J-ZZ	3215J-2RS	75	130	41.3	90.0	80.5	3600	3600	1.900
3216J	3216J-zz	3216J-2RS	80	140	44.4	106	95.5	3600	2800	2.390
3217J	3217J-ZZ	3217J-2RS	85	150	49.2	112	106	3500	2400	3.060
3218J	3218J-ZZ	3218J-2RS	90	160	52.4	140	129	3200	2200	3.730
3300J	3300J-ZZ	3300J-2RS	10	35	19	9.2	5.1	19000	14000	0.092
3301J	3301J-ZZ	3301J-2RS	12	37	19	10.0	6.1	17000	12000	0.109
3302J	3302J-zz	3302J-2RS	15	42	19	12.8	7.9	15000	10000	0.132
3303J	3303J-zz	3303J-2RS	17	47	22.2	20.4	12.1	12000	8000	0.181
3304J	3304J-ZZ	3304J-2RS	20	52	22.2	20.6	12.7	12000	8000	0.227
3305J	3305J-ZZ	3305J-2RS	25	62	25.4	30.5	20.5	10000	7500	0.362
3306J	3306J-zz	3306J-2RS	30	72	30.2	39.5	27.5	8000	6500	0.553
3307J	3307J-ZZ	3307J-2RS	35	80	34.9	49.5	35.0	7000	5300	0.766
3308J	3308J-zz	3308J-2RS	40	90	36.5	60.5	44.0	6500	5000	1.010
3309J	3309J-zz	3309J-2RS	45	100	39.7	72.5	54.0	5600	4300	1.340
3310J	3310J-zz	3310J-2RS	50	110	44.4	85.5	64.5	5300	4000	1.810
3311J	3311J-ZZ	3311J-2RS	55	120	49.2	106	82.0	4800	3600	2.320
3312J	3312J-zz	3312J-2RS	60	130	54	122	95.5	4500	3500	3.050
°3313J	3313J-zz	3313J-2RS	65	140	58.7	138	109	4000	3000	3.960
3314J	3314J-zz	3314J-2RS	70	150	63.5	155	125	3800	2800	4.740
3315J	3315J-ZZ	3315J-2RS	75	160	68.3	168	141	3200	2600	5.650
3316J	3316J-zz	3316J-2RS	80	170	68.3	175	151	3000	2200	7.210
3317J	3317J-zz	3317J-2RS	85	180	73	196	240	3000	2200	8.300
3318J	3318J-ZZ	3318J-2RS	90	190	73	225	266	3000	2000	9.015

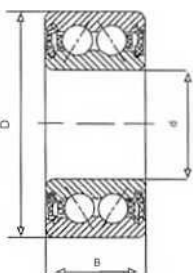
Sealed type double-row angular contact ball bearing

Sealed type double-row angular contact ball bearing is capable of effectively preventing the loss of lubricating grease inside the bearing and the entry of external dust. The double-row angular contact ball bearing can bear axial forces from both directions and higher radial force. Particularly suitable for the bearing configuration requiring rigid axial bearing guide (the components for limiting the two-way axial displacement of shaft and shell). Widely used in high-precision machine tools and equipments applied in automotive air-conditionings, motors, water pumps, oil pumps, cutting machines, reducers, prospecting machines, polishing machines, diesel engines, textile machinery, steel mills and other industries.

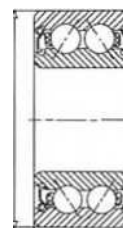
Dustproof double-row angular contact ball bearing

Dustproof double-row angular contact ball bearings are capable of preventing the entry of external dust and use lubricating grease; double-row angular contact ball bearings can bear joint radial and axial load dominated by radial load and overturning moment with the character of easy usage. Apply to the components for limiting the two-way axial displacement of shaft and shell. Especially suitable for applications where require high rigidity. Widely applicable to high-precision machine tools, automobiles, generators, reducers, water pumps, oil pumps and other equipment with the features of high precision and low-noise.

5200-2RS(3200A-2RS)
5300-2RS(3300A-2RS)



5200-2Z(3200A-2Z)
5300-2Z(3300A-2Z)



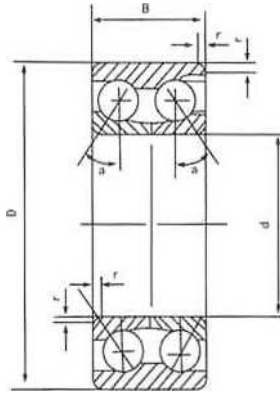
Bearing No				Dimensions (mm)			Rated load (KN)		Limited Speed (rpm)		Weight
Old code name	New code name	Dust cover	Sealing ring	d	D	B	Cr	Cor	Lubricating oil	Grease	Mass(kg)
3056200	3200	5200-zz	5200-2RS	10	30	143	7.0	3.8	20000	15000	0.049
3056201	3201	5201-zz	5201-2RS	12	32	15,9	9.2	5.1	19000	14000	0.057
3056202	3202	5202-zz	5202-2RS	15	35	15,9	10.0	6.1	16000	12000	0.064
3056203	3203	5203-zz	5203-2RS	17	40	17.5	12.8	7.9	14000	10000	0.096
3056204	3204	5204-zz	5204-2RS	20	47	20.6	19.0	12.1	12000	8000	0.153
3056205	3205	5205-zz	5205-2RS	25	52	20.6	20.6	14.3	10000	7500	0.175
3056206	3206	5206-zz	5206-2RS	30	62	23.8	28.6	20,4	8500	6500	0.286
3056207	3207	5207-zz	5207-2RS	35	72	27	38.0	27.8	7500	5500	0.436
3056208	3208	5208-zz	5208-2RS	40	80	30.2	42.5	32.5	7000	5300	0.590
3056209	3209	5209-zz	5209-2RS	45	85	30.2	48.0	37.0	6500	5000	0.640
3056210	3210	5210-zz	5210-2RS	50	90	30.2	51.0	42.0	6000	4500	0.689
3056211	3211	5211-zz	5211-2RS	55	100	33.3	63.0	53.0	5800	4400	0.986
3056212	3212	5212-zz	5212-2RS	60	110	36.5	71.5	58.5	5300	4000	1.270
3056213	3213	5213-zz	5213-2RS	65	120	38.1	83.5	72.5	4800	4000	1.570
3056214	3214	5214-zz	5214-2RS	70	125	39.7	87.5	79.5	4400	3800	1.800
3056215	3215	5215-zz	5215-2RS	75	130	41.3	90.0	80.5	3600	3600	1.900
3056216	3216	5216-zz	5216-2RS	80	140	44.4	106	95.5	3600	2800	2.390
3056217	3217	5217-zz	5217-2RS	85	150	49.2	112	106	3500	2400	3.060
3056218	3218	5218-zz	5218-2RS	90	160	52.4	140	129	3200	2200	3.730
3056219	3219	5219-zz	5219-2RS	95	170	55.6	163	184	3000	2000	5.1
3056220	3220	5220-zz	5220-2RS	100	180	60.3	210	240	2500	1900	6.14
3056221	3221	5221-zz	5221-2RS	105	190	65.1	210	240	2200	1600	7.4
3056222	3222	5222-zz	5222-2RS	110	200	69.8	218	245	2000	1400	9.2
3056300	3300	5300-zz	5300-2RS	10	35	19	9.2	5.1	19000	14000	0.092
3056301	3301	5301-zz	5301-2RS	12	37	19	10.0	6.1	17000	12000	0.109
3056302	3302	5302-zz	5302-2RS	15	42	19	12.8	7.9	15000	10000	0.132
3056303	3303	5303-zz	5303-2RS	17	47	22.2	20.4	12.1	12000	8000	0.181
3056304	3304	5304-zz	5304-2RS	20	52	22.2	20.6	12.7	12000	8000	0.227
3056305	3305	5305-zz	5305-2RS	25	62	25.4	30.5	20.5	10000	7500	0.362
3056306	3306	5306-zz	5306-2RS	30	72	30.2	39.5	27.5	8000	6500	0.553
3056307	3307	5307-zz	5307-2RS	35	80	34.9	49.5	35.0	7000	5300	0.766
3056308	3308	5308-zz	5308-2RS	40	90	36.5	60.5	44.0	6500	5000	1.010
3056309	3309	5309-zz	5309-2RS	45	100	39.7	72.5	54.0	5600	4300	1.340
3056310	3310	5310-zz	5310-2RS	50	110	44.4	85.5	64.5	5300	4000	1.810
3056311	3311	5311-zz	5311-2RS	55	120	49.2	106	82.0	4800	3600	2.320
3056312	3312	5312-zz	5312-2RS	60	130	54	122	95.5	4500	3500	3.050
3056313	3313	5313-zz	5313-2RS	65	140	58.7	138	109	4000	3000	3.960
3056314	3314	5314-zz	5314-2RS	70	150	63.5	155	125	3800	2800	4.740
3056315	3315	5315-zz	5315-2RS	75	160	68.3	168	141	3200	2600	5.650
3056316	3316	5316-zz	5316-2RS	80	170	68.3	175	151	3000	2200	7.210
3056317	3317	5317-zz	5317-2RS	85	180	73	196	240	3000	2000	8.300
3056318	3318	5318-zz	5318-2RS	90	190	73	225	266	3000	2000	9.015
3056319	3319	5319-zz	5319-2RS	95	200	77.8	259	284	2700	1800	11.16
3056320	3320	5320-zz	5320-2RS	100	215	82.6	299	345	2200	1500	14.2

Double-row angular contact ball bearing with ball loading gap and S-shaped iron retainer



The gap S-shaped iron container double-row angular contact ball bearings have more balls and higher carrying capacity, as well can be normally used under the temperature condition as high as 120 °C to 160 °C. Double-row angular contact ball bearings can bear joint radial and axial load dominated by radial load and overturning moment with the character of easy usage. Apply to the components for limiting the twoway axial displacement of shaft and shell. Especially suitable for applications where require high rigidity. Widely applicable to high-precision machine tools, automobiles, generators, reducers, water pumps, oil pumps and other equipment with the features of high precision and low-noise.

! It must be ensured during the installation of the serials of bearings that the main load shall be born by the rollway without ball loading gap.



There is a loading slot (32/33S series)

Bearing No		Dimensions (mm)				Rated load (KN)		Weight
Old code name	New code name	Cr	Cor	B	r	Cr	Cor	Mass(kg)
3056200	3200 S	10	30	143	0.6	93	5.1	0.050
3056201	3201 S	12	32	15.9	0.6	10.2	6.1	0.060
3056202	3202 S	15	35	15.9	0.6	12.5	7.9	0.066
3056203	3203 S	17	40	17.5	0.6	19.0	12.1	0,100
3056204	3204 S	20	47	20.6	1	20.6	14.3	0.160
3056205	3205 S	25	52	20.6	1	28.6	20.4	0.185
3056206	3206 S	30	62	23.8	1	38.0	27.8	0.305
3056207	3207 S	35	72	27	1.1	42.5	32.5	0.470
3056208	3208 S	40	80	30.2	1.1	48.0	37.0	0.615
3056209	3209 S	45	85	30.2	1.1	51.0	42.0	0.680
3056210	3210 S	50	90	30.2	1.1	63.0	53.0	0.770
3056211	3211 S	55	100	33.3	1.5	71.5	58.5	1.020
3056212	3212 S	60	110	36.5	1.5	83.5	72.5	1.320
3056213	3213 S	65	120	38.1	1.5	94.5	78.6	1.690
3056214	3214 S	70	125	39.7	1.5	90	80.5	1.900
3056215	3215 S	75	130	41.3	1.5	106	95.5	2.150
3056216	3216 S	80	140	44.4	2	112	106	2.700
3056217	3217 S	85	150	49.2	2	140	129	3.500
3056218	3218 S	90	160	52.4	2	153	142	4.180
3056304	3304 S	20	52	22.2	1.1	20.6	12.7	0.225
3056305	3305 S	25	62	25.4	1.1	30.5	20.5	0.360
3056306	3306 S	30	72	30.2	1.1	39.5	27.5	0.560
3056307	3307 S	35	80	34.9	1.5	60.5	35.0	0.760
3056308	3308 S	40	90	36.5	1.5	72.5	44.0	1.020
3056309	3309 S	45	100	39.7	1.52	85.5	54.0	1.400
3056310	3310 S	50	110	44.4	2	106.0	64.5	1.870
3056311	3311 S	55	120	49.2	2	122.0	82.0	2.390
3056312	3312 S	60	130	54	2.5	138	95.5	2.950
3056313	3313 S	65	140	58.7	2.5	145	109	3.860
3056314	3314 S	70	150	63.5	2.5	155	125	5.200
3056315	3315 S	75	160	68.3	2.5	168	141	5.85
3056316	3316 S	80	170	68.3	3	175	151	7.75
3056317	3317 S	85	180	73	3	196	240	8.3
3056318	3318 S	90	190	73	3	225	266	9.02

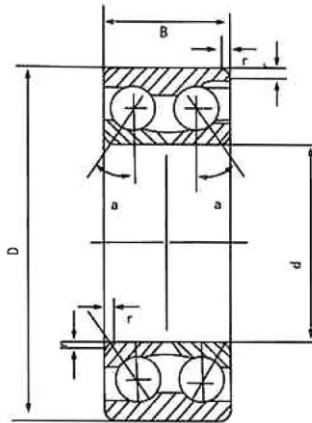
Double-row angular contact ball bearing with ball loading gap and copper retainer



Double-row angular contact ball bearings with ball loading gap copper retainer have more balls, higher carrying capacity, heat resisting wearing resisting as well can be normaly used under the temperature condition as high as 140 °C to 200 °C. Double-row angular contact ball bearings can bear joint radial and axial load dominated by radial load and overturning moment with the character of easy usage. Apply to the components for limiting the two-way axial displacement of shaft and shell. Especially suitable for applications where require high rigidity. Widely applicable to high-precision machine tools, automobiles, generators, reducers, water pumps, oil pumps and other equipment with the features of high precision and low noise.

! It must be ensured during the installation of the serials of bearings that the main load shall be born by the roll way without ball loading gap.

With loading slot (32/33M series)

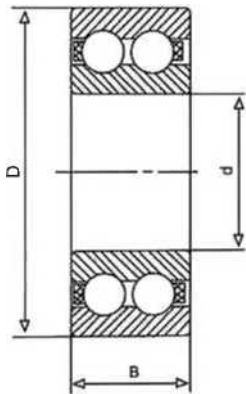


Bearing No		Dimensions (mm)				Rated load (KN)		Limited Speed (rpm)		Weight
Old code name	New code name	Cr	Cor	B	r	Cr	Cor	Lubricating oil	Grease	Mass(kg)
3056208	3208M	40	80	30.2	1.1	48.0	37.0	7000	5300	1.550
3056209	3209M	45	85	30.2	1.1	51.0	42.0	6500	5000	1.410
3056210	3210M	50	90	30.2	1.1	63.0	53.0	6000	4500	1.960
3056211	3211M	55	100	33.3	1.5	71.5	58.5	5800	4400	2.680
3056212	3212M	60	110	36.5	1.5	83.5	72.5	5300	4000	1.550
3056213	3213M	65	120	38.1	1.5	87.5	79.5	4800	3800	1.780
3056214	3214M	70	125	39.7	1.5	90	80.5	4400	3600	1.900
3056215	3215M	75	130	41.3	1.5	106	95.5	3600	3000	2.150
3056216	3216M	80	140	44.4	2	112	106	3600	2800	2.700
3056217	3217M	85	150	49.2	2	140	129	3500	2400	3.500
3056218	3218M	90	160	52.4	2	153	142	3200	2200	4.180
3056219	3219M	95	170	55.6	2.1	163	184	3000	2000	5.100
3056220	3220M	100	180	60.3	2.1	210	240	2500	1900	6.140
3056221	3221M	105	190	65.1	2.5	210	240	2200	1600	7.400
3056222	3222M	110	200	69.8	2.5	218	245	2000	1400	9.200
3506224	3224M	120	215	76	3	251	291.5	1600	1000	11.100
3506226	3226M	130	230	80	3.5	259.5	314.9	1400	800	13.300
3506228	3228M	140	250	88	3.5	304.5	391.3	1200	600	15.200
3056308	3308M	40	90	36.5	1.5	60.5	44	6500	5000	1.010
3056309	3309M	45	100	39.7	1.5	72.5	54	5600	4300	1.410
3056310	3310M	50	110	44.4	2	85.5	65	5300	4000	1.960
3056311	3311M	55	120	49.2	2	106	82	4800	3600	2.680
3056312	3312M	60	130	54	2.1	122	96	4500	3500	3.250
3056313	3313M	65	140	58.7	2.1	138	109	4000	3000	4.180
3056314	3314M	70	150	63.5	2.5	155	125	3800	2800	5.200
3056315	3314M	75	160	68.3	2.5	168	141	3200	2600	5.850
3056316	3316M	80	170	68.3	3	175	151	3200	2600	7.750
3056317	3317M	85	180	73	3	196	240	3000	2200	8.300
3056318	3318M	90	190	73	3	225	266	3000	2000	9.020
3056319	3319M	95	200	77.8	3.5	269	294	2700	1800	11.160
3056320	3320M	100	215	82.6	3.5	309	359	2200	1500	14.200
3056321	3321M	105	225	87.3	3.5	309	360	1800	1200	16.350
3056322	3322M	110	240	92.1	3.5	329	403	1600	1000	19.800
3506324	3324M	120	260	106	3.5	397.9	493.3	1400	800	25.400
3506326	3326M	130	280	112	4	443.95	584.9	1200	600	32.000
3506328	3328M	140	300	118	4	467.3	676.3	1000	500	33.400

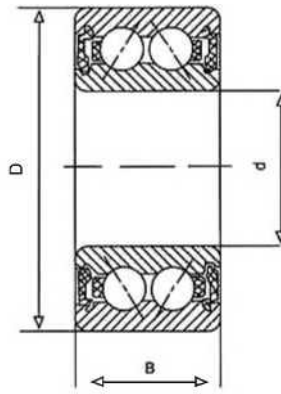
Double-row deep groove ball bearings



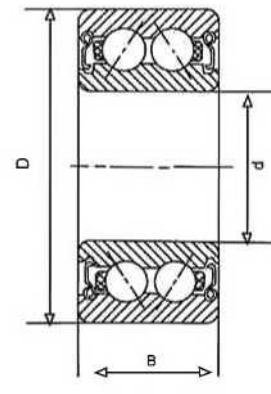
Double-row deep groove ball bearings of Serial 4200 and 4300 have the types of open, sealed, dustproof, nylon, crown type steel retainer respectively and some of them have Sshaped iron retainer. All double-row deep groove ball bearings are only capable of bearing high radial load, torque load and lessaxial load. Compared with single row deep groove ball bearings, they have better rigidity, capable of bearingoverturning moment and are easy to use. The type of bearings is non-detachable. Especially suitable for applications where require high rigidity. Widely applicable to high-precision machine tools, automobiles, generators, reducers, water pumps and other equipment with the features of high precision and low-noise.



Open type



Seal 2RS



Dust cover ZZ

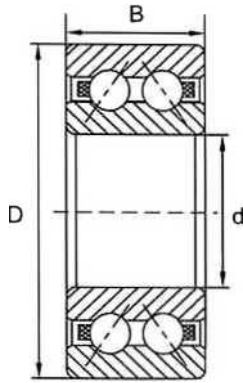
Bearing model			Dimensions (mm)				Rated load (KN)		Limited Speed (rpm)	Weight
Bearing No	Dust cover	Sealing ring	d	D	B	r	Cr	Cor	Lubricating oil	Mass(kg)
4200A	4200A-ZZ	4200A-2RS	10	30	14	0.5	9.3	5.2	15000	0.047
4201A	4201A-ZZ	4201A-2RS	12	32	14	0.5	10.6	6.2	14000	0.053
4202A	4202A-ZZ	4202A-2RS	15	35	14	0.6	11.0	7.5	12000	0.059
4203A	4203A-ZZ	4203A-2RS	17	40	16	0.6	11.7	10.4	10000	0.090
4204A	4204A-ZZ	4204A-2RS	20	47	18	1.0	16.4	12.5	8000	0.140
4205A	4205A-ZZ	4205A-2RS	25	52	18	L0	19.0	14.6	7500	0.160
4206A	4206A-ZZ	4206A-2RS	30	62	20	1.0	26.0	28.5	6500	0.260
4207A	4207A-ZZ	4207A-2RS	35	72	23	1.1	35.1	20.8	5500	0.400
4208A	4208A-ZZ	4208A-2RS	40	80	23	1.1	37.1	32.5	5300	0.500
4209A	4209A-ZZ	4209A-2RS	45	85	23	1.1	39.0	36	5000	0.540
4210A	4210A-ZZ	4210A-2RS	50	90	23	1.1	41.0	40	4500	0.580
4211A	4211A-ZZ	4211A-2RS	55	100	25	1.5	44.9	44.0	4400	0.800
4212A	4212A-ZZ	4212A-2RS	60	110	28	1.5	57.2	55.0	4000	1.100
4213A	4213A-ZZ	4213A-2RS	65	120	31	1.5	67.6	67.0	3800	1.450
4214A	4214A-ZZ	4214A-2RS	70	125	31	1.5	70.2	73.5	3600	1.500
4215A	4215A-ZZ	4215A-2RS	75	130	31	1.5	72.8	80.0	3000	1.600
4216A	4216A-ZZ	4216A-2RS	80	140	33	2.0	80.6	90.0	2800	2.000
4217A	4217A-ZZ	4217A-2RS	85	150	36	2.0	93.6	102.0	2400	2.500
4218A	4218A-ZZ	4218A-2RS	90	160	40	2.0	112.0	122.0	2200	3.590
4300A	4300A-ZZ	4300A-2RS	10	35	17	0.6	12.8	7.7	14000	0.091
4301A	4301A-ZZ	4301A-2RS	12	37	17	1.0	13.0	7.8	12000	0.092
4302A	4302A-ZZ	4302A-2RS	15	42	17	1.0	13.1	11.7	10000	0.120
4303A	4303A-ZZ	4303A-2RS	17	47	19	1.0	16.5	15.0	8000	0.160
4304A	4304A-ZZ	4304A-2RS	20	52	21	1.1	19.5	17.0	8000	0.210
4305A	4305A-ZZ	4305A-2RS	25	62	24	1.1	26.3	25.7	7500	0.340
4306A	4306A-ZZ	4306A-2RS	30	72	27	1.1	35.5	35.9	6500	0.500
4307A	4307A-ZZ	4307A-2RS	35	80	31	1.5	40.6	41.8	5300	0.690
4308A	4308A-ZZ	4308A-2RS	40	90	33	1.5	46.0	48.8	5000	0.950
4309A	4309A-ZZ	4309A-2RS	45	100	36	1.5	57.6	62.4	4300	1.250
4310A	4310A-ZZ	4310A-2RS	50	110	40	2.0	81.9	69.5	4000	1.700
4311A	4311A-ZZ	4311A-2RS	55	120	43	2.0	97.5	83.0	3600	2.150
4312A	4312A-ZZ	4312A-2RS	60	130	46	2.1	112.0	98.0	3500	2.650
4313A	4313A-ZZ	4313A-2RS	65	140	48	2.3	123.0	108.0	3000	3.200
4314A	4314A-ZZ	4314A-2RS	70	150	51	2.3	135.0	108.0	2800	3.880
4315A	4315A-ZZ	4315A-2RS	75	160	55	2.5	142.0	126.0	2600	5.330
4316A	4316A-ZZ	4316A-2RS	80	170	58	2.5	158.0	132.0	2600	6.750

Double-row angular contact ball thin wall bearings

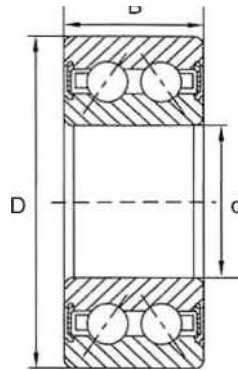


Double-row angular contact ball thin wall bearings of Serial 3800, Serial 3900 and Serial 3000 have the types of sealed/dustproof nylon retainer, which are all capable of bearing joint radial and axial load dominated by radial load and overturning moment with the character of easy usage. Apply to the components for limiting the two-way axial displacement of shaft and shell.

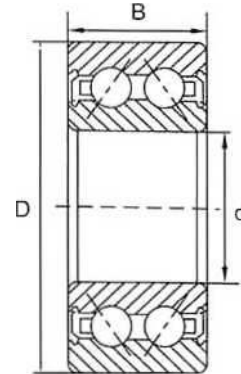
Double-row angular contact ball thin wall bearings commonly use nylon retainer, with the characteristics of thin inner and outer walls, low panel height, small size, light weight; well sealed, low noise and high revolving speed. Especially suitable for high-precision machine tools, instruments, textile machines and other equipment with the features of high precision and low-noise.



3800
3900
3000



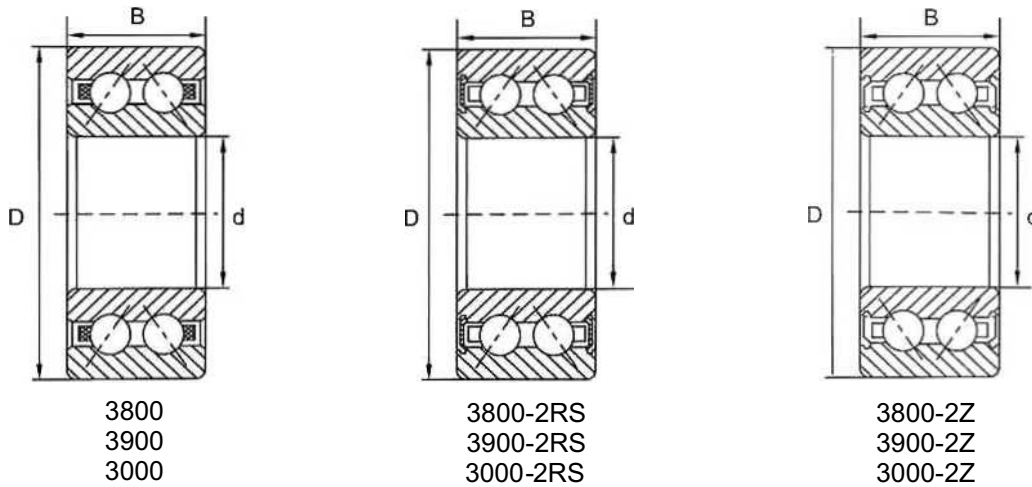
3800-2RS
3900-2RS
3000-2RS



3800-2Z
3900-2Z
3000-2Z

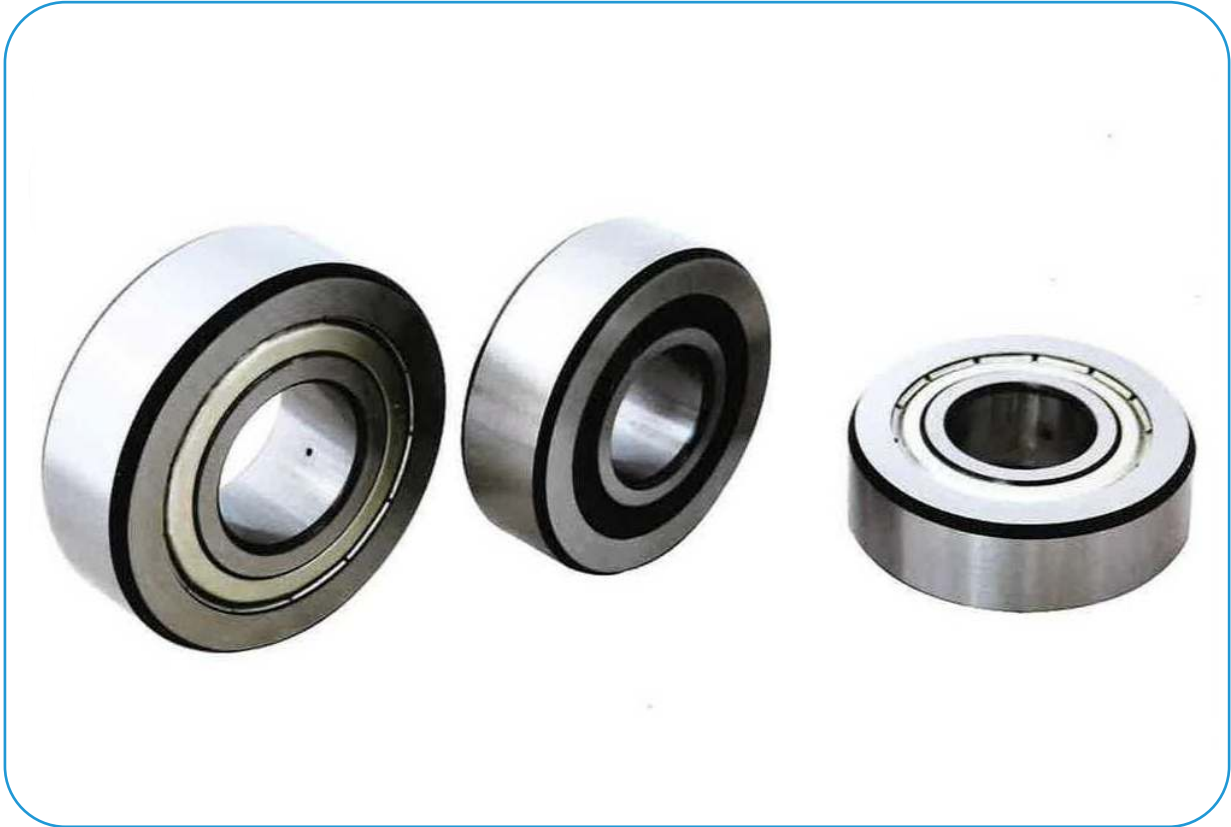
Principal Dimensions (mm)			Designation			Rated load (KN)		Limited Speed (rpm)		Weight
d	D	B				Cr	Cor	Grease lubrication	Oil lubrication	Mass(kg)
10	19	7	3800	3800-2Z	3800-2RS	2.58	1.56	22000	30000	0.015
	22	10	3900	3900-2Z	3900-2RS	4.08	2.36	21000	29000	0.022
	26	12	3000	3000-2Z	3000-2RS	5.5	3.2	18000	23000	0.022
12	21	7	3801	3801-2Z	3801-2RS	2.89	1.92	20000	27000	0.018
	24	10	3901	3901-2Z	3901-2RS	4.36	2.72	19000	26000	0.026
	28	12	3001	3001-2Z	3001-2RS	6.1	3.7	17000	22000	0.025
15	24	7	3802	3802-2Z	3802-2RS	3.09	2.31	17000	24000	0.022
	28	10	3902	3902-2Z	3902-2RS	4.55	3.12	16000	22000	0.024
	32	13	3002	3002-2Z	3002-2RS	8.5	5.4	14500	18000	0.036
17	26	7	3803	3803-2Z	3803-2RS	3.17	2.52	15000	22000	0.240
	30	10	3903	3903-2Z	3903-2RS	4.99	3.79	14000	21000	0.027
	35	14	3003	3003-2Z	3003-2RS	9.0	6.0	12500	16000	0.042
20	32	10	3804	3804-2Z	3804-2RS	4.9	3.9	12000	14300	0.020
	37	13	3904	3904-2Z	3904-2RS	9.3	6.6	12000	13200	0.046
	42	16	3004	3004-2Z	3004-2RS	14.2	9.6	11000	13000	0.080
25	37	10	3805	3805-2Z	3805-2RS	5.5	4.9	11500	12700	0.025
	42	13	3905	3905-2Z	3905-2RS	9.6	7.5	11000	12300	0.062
	47	16	3005	3005-2Z	3005-2RS	15.2	11.0	9500	12000	0.100
30	42	10	3806	3806-2Z	3806-2RS	5.7	5.6	10000	11500	0.030
	47	13	3906	3906-2Z	3906-2RS	9.9	8.3	9500	10500	0.095
	55	19	3006	3006-2Z	3006-2RS	20.3	15.5	8000	10000	0.160
35	47	10	3807	3807-2Z	3807-2RS	6.1	6.2	8500	10000	0.035
	55	15	3907	3907-2Z	3907-2RS	12.9	11.3	8000	9500	0.138
	62	20	3007	3007-2Z	3007-2RS	24.2	20.4	6500	8500	0.240
40	52	10	3808	3808-2Z	3808-2RS	6.4	6.9	7000	8500	0.040
	62	16	3908	3908-2Z	3908-2RS	17.4	15.8	6500	8000	0.158
	68	21	3008	3008-2Z	3008-2RS	24.5	20.8	6000	7800	0.279
45	58	10	3809	3809-2Z	3809-2RS	6.7	7.7	6300	7000	0.055
	68	16	3909	3909-2Z	3909-2RS	17.9	17.2	6000	6800	0.183
	75	23	3009	3009-2Z	3009-2RS	39.3	36.4	5600	6200	0.364
50	65	12	3810	3810-2Z	3810-2RS	7.0	8.4	6000	7500	0.075
	72	16	3910	3910-2Z	3910-2RS	19.1	19.6	5800	7200	0.189
	80	23	3010	3010-2Z	3010-2RS	42.3	41.9	5300	6600	0.395

Principal Dimensions (mm)			Designation			Rated load (KN)		Limited Speed (rpm)		Weight
d	D	B				Cr	Cor	Grease lubrication	Oil lubrication	Mass(kg)
55	72	13	3811	3811-2Z	3811-2RS	12.8	15.4	5500	6500	0.010
	80	19	3911	3911-2Z	3911-2RS	20.0	21.7	5300	6200	0.282
	90	26	3011	3011-2Z	3011-2RS	43.7	44.7	4800	5800	0.581
60	78	14	3812	3812-2Z	3812-2RS	13.6	16.2	5000	5500	0.140
	85	19	3912	3912-2Z	3912-2RS	21.0	23.8	4800	5300	0.303
	95	26	3012	3012-2Z	3012-2RS	47.2	53.4	4400	5000	0.621
65	85	15	3813	3813-2Z	3813-2RS	15.1	18.3	4700	5200	0.182
	90	19	3913	3913-2Z	3913-2RS	21.4	24.8	4500	5000	0.324
	100	26	3013	3013-2Z	3013-2RS	49.5	59.2	4000	4800	0.661
70	90	15	3814	3814-2Z	3814-2RS	18.0	21.9	4400	4800	0.190
	100	23	3914	3914-2Z	3914-2RS	25.8	30.0	4000	4600	0.516
	110	30	3014	3014-2Z	3014-2RS	54.2	58.9	3600	4400	0.950
75	95	15	3815	3815-2Z	3815-2RS	16.0	20.3	4200	4700	0,224
	105	23	3915	3915-2Z	3915-2RS	26.0	31.3	3800	4300	0.546
	115	30	3015	3015-2Z	3015-2RS	57.7	66.5	3400	4000	1.003
80	100	15	3816	3816-2Z	3816-2RS	16.5	21.7	4000	4400	0.230
	110	23	3916	3916-2Z	3916-2RS	26.7	32.5	3500	4000	0.576
	125	34	3016	3016-2Z	3016-2RS	63.5	67.8	3100	3800	1.380
85	110	19	3817	3817-2Z	3817-2RS	22.0	28.7	3600	4000	0.407
	120	26	3917	3917-2Z	3917-2RS	31.5	38.5	3300	3000	0.821
	130	34	3017	3017-2Z	3017-2RS	68.3	77.5	2900	3600	1.447
90	115	19	3818	3818-2Z	3818-2RS	23.3	30.8	3300	3600	0.450
	125	26	3918	3918-2Z	3918-2RS	32.1	40.1	3100	3400	0.861
	140	37	3018	3018-2Z	3018-2RS	69.8	77.3	2700	3300	1.872
95	120	19	3819	3819-2Z	3819-2RS	23.6	31.8	3200	3500	0.501
	130	26	3919	3919-2Z	3919-2RS	32.6	41.7	3000	3300	0.901
	145	37	3019	3019-2Z	3019-2RS	72.4	82.9	2600	3100	1.954
100	125	19	3820	3820-2Z	3820-2RS	23.7	32.8	3100	3400	0.560
	140	30	3920	3920-2Z	3920-2RS	37.9	48.5	2800	3200	1.270
	150	37	3020	3020-2Z	3020-2RS	74.7	88.2	2500	2600	2.040

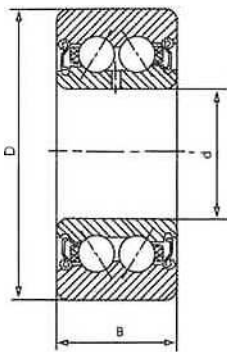


Principal Dimensions (mm)			Designation			Rated load (KN)		Limited Speed (rpm)		Weight
d	D	B				Cr	Cor	Grease lubrication	Oil lubrication	Mass(kg)
10	19	7	3800	3800-2Z	3800-2RS	2.58	1.56	22000	30000	0.015
	22	10	3900	3900-2Z	3900-2RS	4.08	2.36	21000	29000	0.022
	26	12	3000	3000-2Z	3000-2RS	5.5	3.2	18000	23000	0.022
12	21	7	3801	3801-2Z	3801-2RS	2.89	1.92	20000	27000	0.018
	24	10	3901	3901-2Z	3901-2RS	4.36	2.72	19000	26000	0.026
	28	12	3001	3001-2Z	3001-2RS	6.1	3.7	17000	22000	0.025
15	24	7	3802	3802-2Z	3802-2RS	3.09	2.31	17000	24000	0.022
	28	10	3902	3902-2Z	3902-2RS	4.55	3.12	16000	22000	0.024
	32	13	3002	3002-2Z	3002-2RS	8.5	5.4	14500	18000	0.036
17	26	7	3803	3803-2Z	3803-2RS	3.17	2.52	15000	22000	0.240
	30	10	3903	3903-2Z	3903-2RS	4.99	3.79	14000	21000	0.027
	35	14	3003	3003-2Z	3003-2RS	9.0	6.0	12500	16000	0.042
20	32	10	3804	3804-2Z	3804-2RS	4.9	3.9	12000	14300	0.020
	37	13	3904	3904-2Z	3904-2RS	9.3	6.6	12000	13200	0.046
	42	16	3004	3004-2Z	3004-2RS	14.2	9.6	11000	13000	0.080
25	37	10	3805	3805-2Z	3805-2RS	5.5	4.9	11500	12700	0.025
	42	13	3905	3905-2Z	3905-2RS	9.6	7.5	11000	12300	0.062
	47	16	3005	3005-2Z	3005-2RS	15.2	11.0	9500	12000	0.100
30	42	10	3806	3806-2Z	3806-2RS	5.7	5.6	10000	11500	0.030
	47	13	3906	3906-2Z	3906-2RS	9.9	8.3	9500	10500	0.095
	55	19	3006	3006-2Z	3006-2RS	20.3	15.5	8000	10000	0.160
35	47	10	3807	3807-2Z	3807-2RS	6.1	6.2	8500	10000	0.035
	55	15	3907	3907-2Z	3907-2RS	12.9	11.3	8000	9500	0.138
	62	20	3007	3007-2Z	3007-2RS	24.2	20.4	6500	8500	0.240
40	52	10	3808	3808-2Z	3808-2RS	6.4	6.9	7000	8500	0.040
	62	16	3908	3908-2Z	3908-2RS	17.4	15.8	6500	8000	0.158
	68	21	3008	3008-2Z	3008-2RS	24.5	20.8	6000	7800	0.279
45	58	10	3809	3809-2Z	3809-2RS	6.7	7.7	6300	7000	0.055
	68	16	3909	3909-2Z	3909-2RS	17.9	17.2	6000	6800	0.183
	75	23	3009	3009-2Z	3009-2RS	39.3	36.4	5600	6200	0.364
50	65	12	3810	3810-2Z	3810-2RS	7.0	8.4	6000	7500	0.075
	72	16	3910	3910-2Z	3910-2RS	19.1	19.6	5800	7200	0.189
	80	23	3010	3010-2Z	3010-2RS	42.3	41.9	5300	6600	0.395

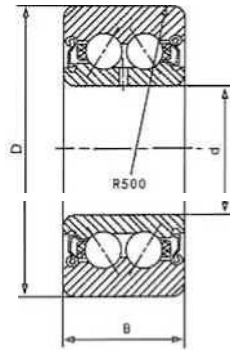
Double-row angular contact ball roller bearings



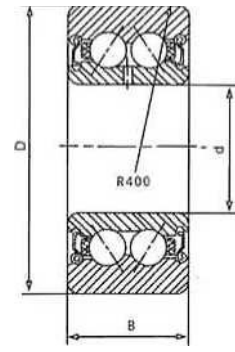
Double-row angular contact ball roller bearings of Serial LR5 have the types of sealed/dustproof nylon retainer and crown type steel retainer, which are all capable of bearing joint radial and axial load dominated by radial load and overturning moment with the character of easy usage. Apply to the components for limiting the two-way axial displacement of shaft and shell. Double-row angular contact ball roller bearings adopt the internal structure design of double-row angular contact ball bearing and thicken outer ring which make the roller has higher carrying capacity; the incline between inner and outer rings is limited to ensure that no excessive additional stress will be generated inside the bearing. With the characteristics of well sealed, low noise and high revolving speed, they are widely suitable for high-precision machine tools, instruments, textile machines and other equipment with the features of high precision and low-noise.



LR5... KDD
3057 3067



LR5... KDDU
LR5... NPPU



3058
3068

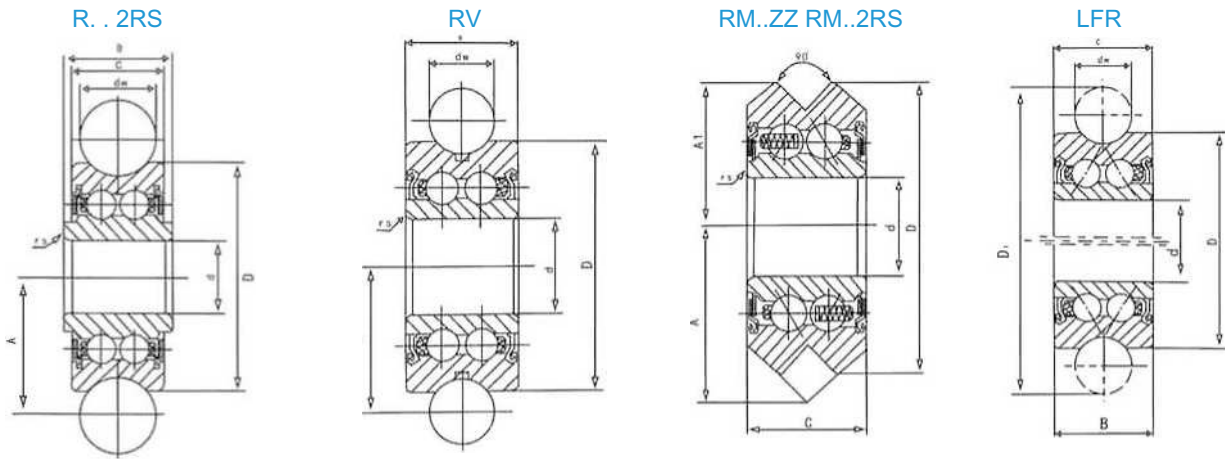
Principal Dimensions (mm)			Designation		Rated load (KN)		Weight
d	D	B			Cr (N)	Cor (N)	Mass(kg)
10	28	12	LR5000 KDDU	-	4750	2850	0.030
	28	12	LR 5000 NPPU	-	4750	2850	0.030
	32	14	LR5200 KDDU	305800-2Z	6800	4050	0.070
	32	14	LR5200KDD	305700-2Z	6800	4050	0.070
	32	14	LR5200 NPPU	305800-2RS	6800	4050	0.070
12	30	12	LR 5001 NPPU	-	4950	3100	0.030
	35	15.9	LR5201KDDU	305801-2Z	8600	5100	0.080
	35	15.9	LR 5201 KDD	305701-2Z	8600	5100	0.080
	35	15.9	LR5201 NPPU	305801-2RS	8600	5100	0.080
	42	19	LR5301KDDU	-	11300	7100	0.120
	42	19	LR5301 KDD	306701-2Z	11300	7100	0.120
15	42	19	LR5301 NPPU	306801-2RS	11300	7100	0.120
	35	13	LR 5002 NPPU	-	6500	4100	0.050
	40	15.9	LR5202 KDDU	305802-2Z	9800	6200	0.110
	40	15.9	LR 5202 KDD	308702-2Z	9800	6200	0.110
	40	15.9	LR 5202 NPPU	305702-2RS	9800	6200	0.110
	47	19	LR 5302 KDDU	306802-2Z	14600	9200	0.150
	47	19	LR 5302 KDD	306702-2Z	14600	9200	0.150
17	47	19	LR5302 NPPU	306802-2RS	14600	9200	0.150
	40	14	LR5003 NPPU	-	7700	5200	0.070
	47	17.5	LR5203 KDDU	-	12600	8200	0.170
	47	17.5	LR5203 KDD	305703-2Z	12600	8200	0.170
	47	17.5	LR 5303 KPPU	305803-2RS	12600	8200	0.170
	52	22.2	LR 5303 KDDU	305802-2Z	17200	11100	0.210
	52	22.2	LR 5303 KDD	305703-2Z	17200	11100	0.210
	52	22.2	LR 5303 NPPU	306803-2RS	17200	11100	0.210

Principal Dimensions (mm)			Designation		Rated load (KN)		Weight
d	D	B			Cr (N)	Cor (N)	Mass(kg)
20	47	16	LR5004 NDDU	-	11500	7700	0.120
	52	20.6	LR5204 KDDU	305804-2Z	15800	10500	0.230
	52	20.6	LR5204 KDD	305704-2Z	15800	10500	0.230
	52	20.6	LR5204 NPPU	305804-2RS	15800	10500	0.230
	62	22.2	LR 5304 KDDU	306804-2Z	21100	14500	0.340
	62	22.2	LR5304 KDD	306704-2Z	21100	14500	0.340
	62	22.2	LR5304 NPPU	306804-2RS	21100	14500	0.340
25	52	16	LR 5005 NPPU	-	11600	8100	0.510
	62	20.6	LR 5205 KDDU	305805-2Z	18500	13000	0.340
	62	20.6	LR 5205 KDD	305705-2Z	18500	13000	0.340
	62	20.6	LR 5205 NPPU	305805-2RS	18500	13000	0.340
	72	25.4	LR5305 KDDU	306805-2Z	27500	19500	0.500
	72	25.4	LR 5305 KDD	306705-2Z	27500	19500	0.500
	72	25.4	LR 5305 NPPU	306805-2RS	27500	19500	0.500
30	62	19	LR5006 NPPU	-	15800	11800	0.250
	72	23.8	LR 5206 KDDU	305806-2Z	24600	21400	0.510
	72	23.8	LR 5206 KDD	305706-2Z	24600	21400	0.510
	72	23.8	LR 5206 NPPU	305806-2RS	24600	21400	0.510
	80	30.2	LR 5306 KDDU	306806-2Z	36500	26500	0.670
	80	30.2	LR 5306 KDD	306706-2Z	36500	26500	0.670
	80	30.2	LR5306 NPPU	306806-2RS	36500	26500	0.670
35	68	20	LR 5007 NPPU	-	17500	13100	0.300
	80	27	LR 5207 KDDU	305807-2Z	30500	22400	0.660
	80	27	LR 5207 KDD	305707-2Z	30500	22400	0.660
	80	27	LR 5207 NPPU	305807-2RS	30500	22400	0.660
	90	34.9	LR5307 KDDU	306807-2Z	44500	33000	0.970
	90	34.9	LR5307 KDD	306707-2Z	44500	33000	0.970
	90	34.9	LR5307 NPPU	306807-2RS	44500	33000	0.970
35	75	21	LR 5008 NPPU	-	18400	14600	0.370
	85	30.2	LR 5208 KDDU	305808-2Z	34500	25500	0.750
	85	30.2	LR5208 KDD	305708-2Z	34500	25500	0.750
	85	30.2	LR 5208 NPPU	305808-2RS	34500	25500	0.750
	100	36.5	LR5308 KDDU	306808-2Z	56000	42000	1.200
	100	36.5	LR5308KDD	306708-2Z	56000	42000	1.200
	100	36.5	LR5308 NPPU	306808-2RS	56000	42000	1.200

Double-row angular contact ball guide rail bearings



Double-row angular contact ball guide rail bearings of Serial LFR5, Serial R, Serial RV, and Serial RM have the types of sealed/dustproof nylon retainer and crown type steel retainer, which are all capable of bearing joint radial and axial load dominated by radial load and overturning moment with the character of easy usage. Apply to the components for limiting the two-way axial displacement of shaft and shell. The contacts of the roller and guide rail of double-row angular contact ball guide rail bearings Serial LFR5 and Serial R are double 60-degree contacts, while that of Serial RM and Serial RV are double 90-degree and double 120-degree contacts respectively, which all have good contacting performance and little operation resistance, so as to achieve longer service life; the roller adopts the internal structure design of double-row angular contact ball bearing and thickened outer ring which make the roller have higher carrying capacity. Especially suitable for the applications where require good rigidity, smooth operation, small error, low running noise and high operation speed. They are widely applicable to linear guide rails with the features of high precision, low noise and high speed which require high precision and under the condition of large load.



R...2rs R. . . ZZ series double row angular contact ball bearing

Principal Dimensions (mm)						Bearing model	Basic ratings		Weight
d	D	C	B	dw	D1(A)	Bearing No	Cr(N)	CorfN	Mass(kg)
12	35		15.9			R5201-10	8500	5100	0.80
12	35		15.9			R5201-12	8400	5000	0.85
12	39.9		18			R5201-14	8900	5000	0.095
12	42		19			R5301-10	13000	7700	0.100
15	47		19			R5302-10	16200	9200	0.170
20	52		20.6			R5204-16	16800	9500	0.230
25	72		23.8			R5206-20	29500	16600	0.250
25	72		23.8			R5206-25	29200	16400	0.250
30	80		27			R5207-30	38000	20800	0.660
40	98		36			R5208-40	54800	29000	1.360
40	110		44			R5308-50	53000	39500	1.400

RV series double row angular contact ball bearing

12	41		20	-		RV201/12-20	6200	4120	0.130
15	38		17			RV202/15.38-10	7290	4550	0.086
15	40		18			RV202/15.40-10	7950	495.0	0.110
15	41		20			RV202/15.41-20	8180	5100	0.120
17	58		25			RV203/17-20	16580	9200	0.325
20	57		22			RV203/20.57-30	16910	9200	0.290
20	58		25			RV204/20.58-30	16790	9200	0.310

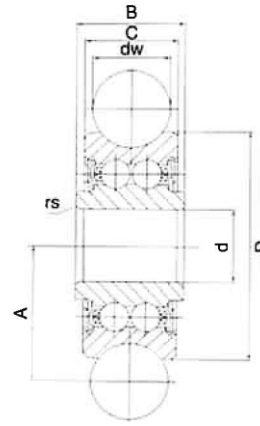
RM . . ZZ RM . . 2 rs series double row angular contact ball bearing

9.525	30.73		11.10		18.24	RM2	5530	2650	0.012
11.999	45.72		15.88		26.98	Rm3	8260	5200	0.136
15.001	59.94		19.05		34.93	Rm4	16250	9200	0.285

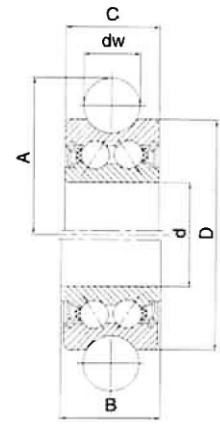
LFR series double row angular contact ball bearing

12	35	15.9	15.9	10	51.3	LFR5201KDD	8500	5100	0.080
12	35	15.9	15.9	12	55.5	LFR5201-12KDD	8300	5000	0.080
12	42	19	19	10	58	LFR5301KDD	1300	7700	0.100
15	47	19	19	10	63.3	LFR5302KDD	14500	9200	0.170
20	52	20.6	22.6	16	79	LFR5204-12KDD	14600	9500	0.230
25	72	23.8	25.8	20	102	LFR5206-20KDD	23400	16000	0.250
25	72	23.8	25.8	25	112	LFR5206-25KDD	23100	16400	0.250
30	80	27	29	30	132	LFR5207-30KDD	28500	20800	0.660
40	98	36	38	40	155	LFR5208-40KDD	38500	2900	1.360

Double-row angular contact ball bearings



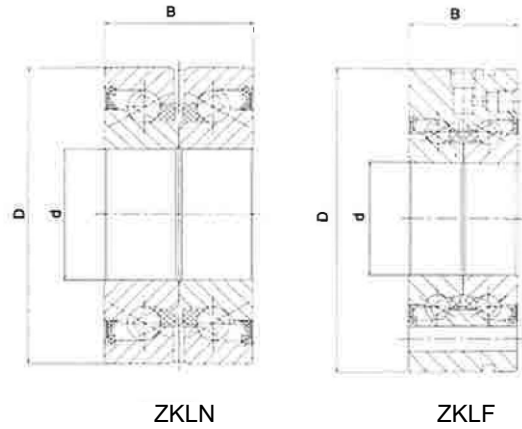
R.2RS



LFR series

Bearing No	GERMAN	ITALIAN	DW	d	D	C	B	A	rs	CW (KN)	COW (KN)	Mass (kg)
LFR5200-BKDD			8	10	32	14.3	14.3	18.45	0.60	7.14	3.9	
LFR5300-15KDD			15	10	35	19	19	22.5	0.60	10.5	5.8	
LFR5301-20 NPP			20	12	42	19	19	28	0.6	13	7.7	0.125
LFR5201-12 KDD	LFR5201-12 KDD	LFR5201-12 KDD	12	12	35	15.9	15.9	21.75	0.3	8.4	5	0.068
LFR5201-12 NPP	LFR5201-12 NPP	LFR5201-12 NPP	12	12	35	15.9	15.9	21.75	0.3	8.4	5	0.068
LFR5201-14 KDD	LFR5201-14 KDD	LFR5201-14 KDD	14	12	39.9	18	20	24	0.3	8.9	5	0.107
LFR5201-14 NPP	LFR5201-14 NPP	LFR5201-14 NPP	14	12	39.9	18	20	24	0.3	8.9	5	0.107
LFR5201-10.40KDD			10	12	39.9	18	20	22	0.3	8.9	5	0.115
LFR5201 KDD	LFR5201 KDD	LFR5201 KDD	10	12	35	15.9	15.9	20.65	0.3	8.5	5.1	0.068
LFR5301 KDD	LFR5301 KDD	LFR5301 KDD	10	12	42	19	19	24	0.6	13	7.7	0.130
LFR5302 KDD	LFR5302 KDD	LFR5302 KDD	10	15	47	19	19	26.65	1	16.2	9.2	0.163
LFR5302 NPP	LFR5302 NPP	LFR5302 NPP	10	15	47	19	19	26.65	1	16.2	9.2	0.163
LFR5304-30KDD			30	20	62	22.2	22.2	42.5	1.10	19.6	12.7	
LFR5304-32KDD			32	20	62	21	23	42	1.10	19.6	12.7	
LFR5204-16KDD*	LFR5204-16KDD	LFR5204-16KDD	16	20	52	20.6	22.6	31.5	0.6	16.8	9.5	0.195
LFR5204-16NPP*	LFR5204-16NPP	LFR5204-16NPP	16	20	52	20.6	22.6	31.5	0.6	16.8	9.5	0.195
LFR5206-20KDD*	LFR5206-20KDD	LFR5206-20KDD	20	25	72	23.8	25.8	41	0.6	29.5	16.6	0.435
LFR5206-20NPP*	LFR5206-20NPP	LFR5206-20NPP	20	25	72	23.8	25.8	41	0.6	29.5	16.6	0.435
LFR5206-25KDD*	LFR5206-25KDD	LFR5206-25KDD	25	25	72	23.8	25.8	43.5	0.6	29.2	16.4	0.425
LFR5206-25NPP*	LFR5206-25NPP	LFR5206-25NPP	25	25	72	23.8	25.8	43.5	0.6	29.2	16.4	0.425
LFR5207-30KDD*	LFR5207-30KDD	LFR5207-30KDD	30	30	80	27	29	51	1	38	20.8	0.660
LFR5207-30NPP*	LFR5207-30NPP	LFR5207-30NPP	30	30	80	27	29	51	1	38	20.8	0.660
LFR5208-40KDD*	LFR5208-40KDD	LFR5208-40KDD	40	40	98	36	38	62.5	1	54.8	29	1.360
LFR5208-40NPP*	LFR5208-40NPP	LFR5208-40NPP	40	40	98	36	38	62.5	1	54.8	29	1.360
LFR5308-50KDD*	LFR5308-50KDD	LFR5308-50KDD	50	40	110	44	46	72.5	1.1	53	39.5	1.400
LFR5308-50NPP*	LFR5308-50NPP	LFR5308-50NPP	50	40	110	44	46	72.5	1.1	53	39.5	1.400

Double-row angular contact ball bearings



ZKLN

ZKLF

Bearing model			Dimensions (mm)			Rated load (kN)		Weight
Bearing No			d	D	B	Cr(N)	CorfN)	Mass(kg)
ZKLN1034	ZZ	2RS	10	34	20	13400	18800	0.1
ZKLN1242	ZZ	2RS	12	42	25	1700	24700	0.2
ZKLN1543	ZZ	2RS	15	45	25	17900	28000	0.21
ZKLN1747	ZZ	2RS	17	47	25	18800	31000	0.22
ZKLN2052	ZZ	2RS	20	52	28	26000	47000	0.31
ZKLN2557	ZZ	2RS	25	57	28	27500	55000	0.34
ZKLN3062	ZZ	2RS	30	62	28	29000	64000	0.39
ZKLN3572	ZZ	2RS	35	72	34	41000	89000	0.51
ZKLN4075	ZZ	2RS	40	75	34	43000	101000	0.61
ZKLN5090	ZZ	2RS	50	90	34	46500	126000	0.88
ZKLN60110	ZZ	2RS	60	110	45	84000	214000	2.2
ZKLN70120	ZZ	2RS	70	120	45	88000	241000	2.4
ZKLN80130	ZZ	2RS	80	130	45	91000	265000	2.7
ZKLN90150	ZZ	2RS	90	150	55	135000	395000	4.5
ZKLN100160	ZZ	2RS	100	160	55	140000	435000	4.9
ZKLF1255	ZZ	2RS	12	55	25	17000	24700	0.37
ZKLF1560	ZZ	2RS	15	60	25	17900	26000	0.43
ZKLF1762	ZZ	2RS	17	62	25	18800	31000	0.45
ZKLF2068	ZZ	2RS	20	68	28	26000	47000	0.61
ZKLF2575	ZZ	2RS	25	75	28	27500	55000	0.72
ZKLF30100	ZZ	2RS	30	100	28	3200	72000	1.00
ZKLF3080	ZZ	2RS	30	80	28	29000	64000	0.78
ZKLF3590	ZZ	2RS	35	90	34	41000	89000	1.13
ZKLF40115	ZZ	2RS	40	115	46	43000	110000	1.60
ZKLF40100	ZZ	2RS	40	100	34	43000	101000	1.46
ZKLF50140	ZZ	2RS	50	140	54	64000	160000	4.20
ZKLF50115	ZZ	2RS	50	115	34	46600	126000	1.86
ZKLF60145	ZZ	2RS	60	145	45	84000	214000	4.3
ZKLF70155	ZZ	2RS	70	155	45	88000	241000	4.9
ZKLF80165	ZZ	2RS	80	165	45	91000	265000	5.3
ZKLF90190	ZZ	2RS	90	190	55	135000	395000	8.7
ZKLF100200	ZZ	2RS	100	200	55	140000	485000	9.3

Serial 3086, Double-row angular contact ball bearing



Bearing model		Dimensions (mm)			
Old code name	New code name	d	D	B	r
3086304	3304D	20	52	22.2	1.5
3086305	3305D	25	62	25.4	1.5
3086306	3306D	30	72	30.2	1.5
3086307	3307D	35	80	34.9	1.5
3086308	3308D	40	90	36.5	1.5
3086309	3309D	45	100	39.7	1.5
3086310	3310D	50	110	44.4	2
3086311	3311D	55	120	49.2	2
3086312	3312D	60	130	54	2.1
3086313	3313D	65	140	58.7	2.1
3086314	3314D	70	150	63.5	2.5
3086315	3315D	75	160	68.3	2.5
3086316	3316D	80	170	68.3	3
3086317	3317D	85	180	73	3
3086318	3318D	90	190	73	3
3086319	3319D	95	200	77.8	3.5
3086320	3320D	100	215	82.6	3.5
3086321	3321D	105	225	87.3	3.5
3086322	3322D	110	240	92.1	3.5

Serial 54, Double-row angular contact ball bearing



Bearing No	Dimensions (mm)		
	d	D	B
5400			
5401			
5402			
5403	17	62	30.16
5404	20	72	34.93
5405	25	80	34.93
5406	30	90	36.69
5407	35	100	44.45
5408	40	110	49.21
5409	45	120	53.89
5410	50	130	58.74
5411	55	140	63.5
5412	60	150	66.68
5413	65	160	71.44
5414	70	180	79.38
5415	75	190	82.55
5416	80	200	87.31
5417	85	210	92.08
5418	90	225	98.43
5419			
5420			

Square-hole agricultural machinery bearing



Square-hole bearings are single row concentric spherical ball bearings with adjustable centre which can withstand larger load and can be used in severe environment.

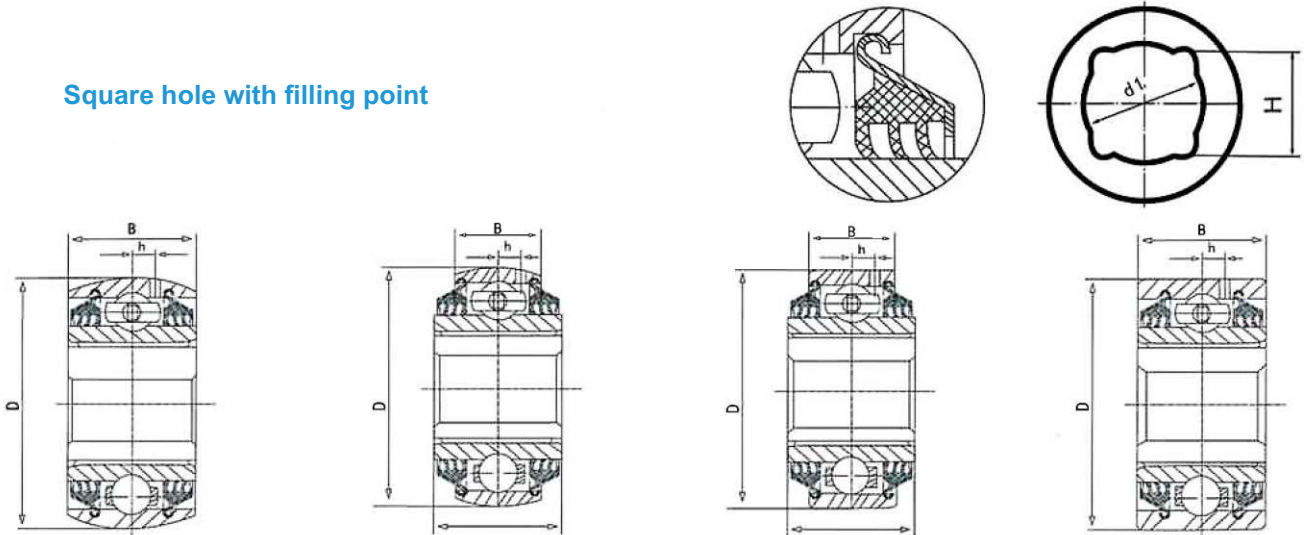
Most of square-hole bearings are full ball structure without internal retainer and are capable of bearing larger load; the square or hexagonal external inner holes are capable of bearing larger torque load; outer diameter spherical surface with good performance in centre adjusting can facilitate the installation and demolition of bearings; double-contact sealing and dust proof are provided at both ends, with the inner edge of a contact ring with curling steel frame three-layer rubber inner lip of large magnitude interference; there is a dust cover matched with the outer notch in the middle, and a circlip compressing dust cover for hole in the outer ring, which are capable of effectively preventing loss of lubricating grease inside the bearing and blocking the external dirt, sand water from entering the bearing to achieve good sealing performance. Most of square-hole bearings are full ball structure without internal retainer, but some may use nylon retainer or wave-shaped iron retainer.

Square-hole bearings are mainly used in applications with large radial load, large rotation torque, low revolving speed and poor operating environment and widely used in agricultural machinery, civilian machinery parts and other equipments. Square-hole bearings can be divided into several type including closed full ball without retainer or with wave-shaped iron retainer, inner and outer rings widened, thickened and with or without square hole. The specifications are as follows: Serial F-Bearings 39602/F29 (full-ball), 39602/F29X2 (full-ball, inner or outer ring widened), 39602/F33 (full-ball), 39602/F33X2 (full-ball, inner or outer ring widened), 39602/F41 (full-bail).

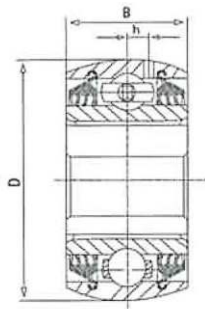
Designation	Dimensions (mm)				Basic Load Rating CR(KN)	Basic Load Rating COR(KN)	Weight (kg)
	H	D	C	B			
39602/F33-2	33	100	38.0	36.0	49.79	41.94	1.44
FMG41-130-1	41	128.5	46.8	44.0	52.90	64.31	2.98
FMG33-130-1	33	128.5	46.8	44.0	52.9	64.31	3.22

Designation	Dimensions (mm)			Weight (kg)
	H	S	B	
39602/F29	29.3	85	30	0.75
39602/F33	33.3	100	33.3	1.12
39602/F41	41.0	128.5	40.3	2.31

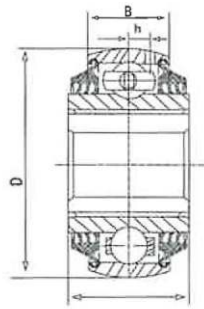
Square hole with filling point



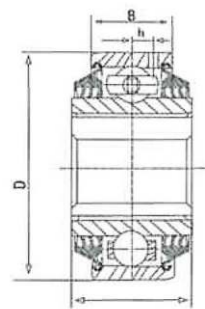
Bearing	Type	Dimensions (mm)					Basic Load Rating CR(KN)	Basic Load Rating COR(KN)	Weight (kg)
		H	di	D	C	B			
W208PPB1	2	0.9043	0.9448	3.1496	0.7090	1.4380	22.71	15.94	0.690
		22.970	24.000	80.000	18.00	36.53			
W208PPB6	2	1.0236	1.1023	3.1496	0.7090	1.4380	22.71	15.94	0.652
		26.000	28.000	80.000	18.00	36.53			
W208PP6	3	1.0236	1.2598	3.1496	0.7090	1.4380	22.71	15.94	0.662
		26.000	32.000	80.000	18.00	36.53			
W208PPB5	2	1.1800	1.2598	3.1496	0.7090	1.4380	22,71	15.94	0.590
		29.970	32.000	80.000	18.00	36.53			
W208PPB8	2	1.1800	1.2598	3.1496	1.1882	1.4380	22.71	15.94	0.735
		29.970	32.000	80.000	30.18	36.53			
W208PP5	2	1.1800	1.2598	3.1496	0.7090	1.4380	22.71	15.94	0.600
		29.970	32.000	80.000	18.00	36.53			
W208PP20	3	1.1800	1.2598	0.7090	0.7090	1.4380	22.71	15.94	0.681
		29.970	32.000	80.000	18.00	36.53			
W208PP8	3	1.1800	1.2598	0.7090	1.1882	1.4380	22.71	15.94	0.709
		29.970	32.000	80.000	30.18	36.53			
W209PPB5	2	1.1800	1.3779	3.3465	1.1882	1.4380	24.36	17.11	0.945
		29.970	35.000	85.000	30.18	36.53			
W210PP4	4	1.1800	1.2598	3.9370	1.1882	11882	27.50	20.20	1.049
		29.970	32.000	100.00	30.18	30.18			
W211PPB6	2	1.1800	1.2598	3.5433	1.1882	1.4380	27.50	20.20	0.733
		29.970	32.000	90.000	30.18	36.53			
W211PPB4	1	1.1800	1.2598	3.5433	1.1882	1.1882	27.50	20.20	0.846
		29.970	32.000	90.00	30.18	30.18			
W211PPB3	1	1.5311	1.6535	3.9370	1.3126	1.3126	33.40	25.10	1.208
		38.890	42.000	100.00	33.34	33.34			
W211PP3	4	1.5311	1.6535	3.9370	1.3126	1.3126	33.40	25.10	1.271
		38.890	42.000	100.00	33.34	33.34			
W211PP5	3	1.5311	1.6535	4.0000	1.7500	1.7500	33.40	25.10	1.302
		38.890	42.000	101.600	44.45	44.45			
20414	3	3130.1	31	80	18	36.53	25.09	19.80	0.652



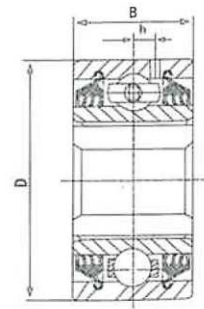
TUPE1



TUPE2



TUPE3



TUPE4

Square hole with filling point

Bearing	Type	Dimensions (mm)						Basic Load Rating CR(KN)	Basic Load Rating COR(KN)	Weight (kg)
		H	di	D	C	B	h			
GW208PPB6	2	1.0236 26.00	1.1023 28.000	3.1490 80.00	0.7090 18.00	1.4380 36.53	0.2480 6.30	22.71	15.94	0.720
GW208PPB5	2	1.1800 29.970	1.2598 32.000	3.1490 80.00	0.8268 21.00	1.4380 36.53	0.2480 6.30	22.71	15.94	0.620
GW208PPB8	2	1.1800 29.070	1.2598 32,000	3.1490 80.00	1.1882 30.18	1.4380 36.53	0.2480 6.30	22.71	15.94	0.658
GW208PPB17	2	1.1800 29.970	1.2598 32.000	3.3155 85.738	1.1882 30.18	1.4380 36.53	0.2480 6.30	22.71	15.94	1.922
GW209PPB5	2	1.1800 33.000	1.3780 35.000	3.3465 85.000	1.1882 30.18	1.4380 36.53	0.2480 6.60	24.36	17.71	0.795
GW219PPB8	2	1.1800 33.000	1.3780 35.000	3.3465 85.000	0.8661 22.00	1.4380 36.53	0.2480 6.60	24.36	17.71	0.749
GW210PPB4	4	1.1800 29.970	1.2598 32.000	3.5433 90.00	1.1882 30.18	1.1882 30.18	0.2480 6.60	27.50	20.20	0.840
GW211PPB4	1	1.1800 29.970	1.2598 32.000	3.5433 90.00	1.1882 30.18	1.1882 30.18	0.2480 6.60	27.50	20.20	0.890
GW211PPB3	1	1.5311 38.890	1.6535 42.000	3.9370 100.00	1.3126 33.34	1.3120 33.34	0.3020 7.67	27.50	25.10	1.036
GW211PP3	4	1.5311 38.890	1.6535 42.000	3.9370 100.00	1.3126 33.34	1.3120 33.34	0.3020 7.67	33.40	25.10	1.106
GW211PP17	3	1.5311 38,890	1.6535 42.000	3.9370 100.00	1.3126 33.34	0.3020 7.67	0.3020 7.67	33.40	25.10	1.252
GW214PPB4	1	2.0550 52,200	2.1610 54.900	4.9213 125.00	1.5630 39.69	0.3543 9.00	0.3543 9.00	46.79	37.59	2.157

Официальный импортер VKE Group - Базовая техника

sales@baztehshop.ru

8 (812) 740-12-27

