

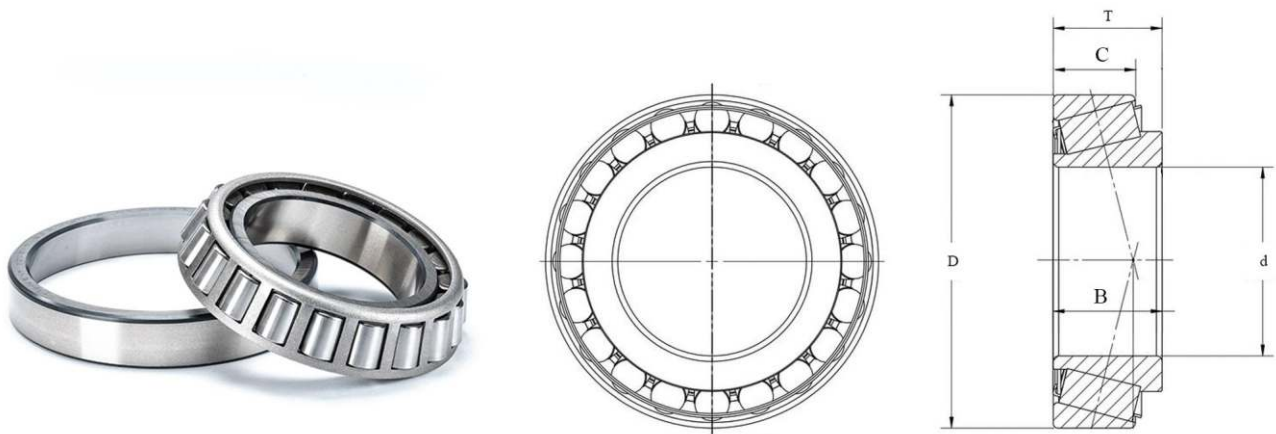
TAPERED ROLLER BEARINGS

VKE



DESCRIPTION

Single row tapered bearings support radial and axial loads or pure thrust loads. Because the inner and outer races are separable, they are typically mounted in pairs in opposing directions to keep the bearings from falling apart. Any misalignment increases bearing noise and reduces bearing service life. Pre-configured matched tapered roller bearings are also available to simplify the design and installation process for many applications.



FEATURES

- has conical rollers as rolling elements
- suitable for high combined loads in one direction
- it has also an axial load carrying capacity on both sides in the X- or O-arrangement in pairs
- massive series
- can carry higher loads than series 330 and 331
- very good fixed bearing properties in one direction
- manufacturers of bearings

METRIC

| Bearings No | Main Dimension (mm) | | | | B (Width of inner ring) | Weight (kgs) |
|-------------|---------------------|----------------------|-----------------|-------------------------|-------------------------|--------------|
| | d (Bore diameter) | D (Outside diameter) | T (Total width) | C (Width of outer ring) | | |
| 30202 | 15 | 35 | 11.75 | 10 | 11 | 0.057 |
| 30203 | 17 | 40 | 13.25 | 11 | 12 | 0.075 |
| 30204 | 20 | 47 | 15.25 | 12 | 14 | 0.12 |
| 30205 | 25 | 52 | 16.25 | 13 | 15 | 0.15 |
| 30206 | 30 | 62 | 17.25 | 14 | 16 | 0.23 |
| 30207 | 35 | 72 | 18.25 | 15 | 17 | 0.32 |
| 30208 | 40 | 80 | 19.75 | 16 | 18 | 0.42 |
| 30209 | 45 | 85 | 20.75 | 16 | 19 | 0.48 |
| 30210 | 50 | 90 | 21.75 | 17 | 20 | 0.54 |
| 30211 | 55 | 100 | 22.75 | 18 | 21 | 0.7 |
| 30212 | 60 | 110 | 23.75 | 19 | 22 | 0.88 |
| 30213 | 65 | 120 | 24.75 | 20 | 23 | 1.15 |
| 30214 | 70 | 125 | 26.25 | 21 | 24 | 1.25 |
| 30215 | 75 | 130 | 27.25 | 22 | 25 | 1.4 |
| 30216 | 80 | 140 | 28.25 | 22 | 26 | 1.6 |
| 30217 | 85 | 150 | 30.5 | 24 | 28 | 2.05 |
| 30218 | 90 | 160 | 32.5 | 26 | 30 | 2.55 |
| 30219 | 95 | 170 | 34.5 | 27 | 32 | 3 |
| 30220 | 100 | 180 | 37 | 29 | 34 | 3.65 |
| 30221 | 105 | 190 | 39 | 30 | 36 | 4.25 |
| 30222 | 110 | 200 | 41 | 32 | 38 | 5.1 |
| 30224 | 120 | 215 | 43.5 | 34 | 40 | 6.15 |
| 30226 | 130 | 230 | 43.75 | 34 | 40 | 7.6 |
| 30228 | 140 | 250 | 45.75 | 36 | 42 | 8.65 |
| 30230 | 150 | 270 | 49 | 38 | 45 | 11 |
| 30232 | 160 | 290 | 52 | 40 | 48 | 13 |
| 30234 | 170 | 310 | 57 | 43 | 52 | 19 |
| 30236 | 180 | 320 | 57 | 43 | 52 | 20 |
| 30238 | 190 | 340 | 60 | 46 | 55 | 24 |
| 30240 | 200 | 360 | 64 | 48 | 58 | 25 |
| 30302 | 15 | 42 | 14.25 | 11 | 13 | 0.095 |
| 30303 | 17 | 47 | 15.25 | 12 | 14 | 0.13 |
| 30304 | 20 | 52 | 16.25 | 13 | 15 | 0.17 |
| 30305 | 25 | 62 | 18.25 | 15 | 17 | 0.26 |
| 30306 | 30 | 72 | 20.75 | 16 | 19 | 0.39 |
| 30307 | 35 | 80 | 22.75 | 18 | 21 | 0.52 |
| 30308 | 40 | 90 | 25.25 | 20 | 23 | 0.72 |
| 30309 | 45 | 100 | 27.25 | 22 | 25 | 0.97 |
| 30310 | 50 | 110 | 29.25 | 23 | 27 | 1.25 |
| 30311 | 55 | 120 | 31.5 | 25 | 29 | 1.55 |
| 30312 | 60 | 130 | 33.5 | 26 | 31 | 1.95 |
| 30313 | 65 | 140 | 36 | 28 | 33 | 2.4 |

METRIC

| Bearings No | Main Dimension (mm) | | | | B (Width of inner ring) | Weight (kgs) |
|-------------|---------------------|----------------------|-----------------|-------------------------|-------------------------|--------------|
| | d (Bore diameter) | D (Outside diameter) | T (Total width) | C (Width of outer ring) | | |
| 30314 | 70 | 150 | 38 | 30 | 35 | 2.9 |
| 30315 | 75 | 160 | 40 | 31 | 37 | 3.45 |
| 30316 | 80 | 170 | 42.5 | 33 | 39 | 4.1 |
| 30317 | 85 | 180 | 44.5 | 34 | 41 | 4.85 |
| 30318 | 90 | 190 | 46.5 | 36 | 43 | 5.65 |
| 30319 | 95 | 200 | 49.5 | 38 | 45 | 6.7 |
| 30320 | 100 | 215 | 51.5 | 39 | 47 | 8.05 |
| 30321 | 105 | 225 | 53.5 | 41 | 49 | 9.15 |
| 30322 | 110 | 240 | 54.5 | 42 | 50 | 11 |
| 30324 | 120 | 260 | 59.5 | 46 | 55 | 14 |
| 30326 | 130 | 280 | 63.75 | 49 | 58 | 17.1 |
| 30328 | 140 | 300 | 67.75 | 53 | 62 | 21.7 |
| 30330 | 150 | 320 | 72 | 55 | 65 | 28.5 |
| 30332 | 160 | 340 | 75 | 58 | 68 | 29 |
| 30334 | 170 | 360 | 80 | 62 | 72 | 35 |
| 31305 | 25 | 62 | 18.25 | 13 | 17 | 0.26 |
| 31306 | 30 | 72 | 20.75 | 14 | 19 | 0.39 |
| 31307 | 35 | 80 | 22.75 | 15 | 21 | 0.52 |
| 31308 | 40 | 90 | 25.25 | 17 | 23 | 0.72 |
| 31309 | 45 | 100 | 27.25 | 18 | 25 | 0.95 |
| 31310 | 50 | 110 | 29.25 | 19 | 27 | 1.2 |
| 31311 | 55 | 120 | 31.5 | 21 | 29 | 1.55 |
| 31312 | 60 | 130 | 33.5 | 22 | 31 | 1.9 |
| 31313 | 65 | 140 | 36 | 23 | 33 | 2.35 |
| 31314 | 70 | 150 | 38 | 25 | 35 | 2.95 |
| 31315 | 75 | 160 | 40 | 26 | 37 | 3.5 |
| 31316 | 80 | 170 | 42.5 | 27 | 39 | 4.05 |
| 31317 | 85 | 180 | 44.5 | 28 | 41 | 4.6 |
| 31318 | 90 | 190 | 46.5 | 30 | 43 | 5.9 |
| 31319 | 95 | 200 | 49.5 | 32 | 45 | 6.95 |
| 31320 | 100 | 215 | 56.5 | 35 | 51 | 8.6 |
| 31321 | 105 | 225 | 58 | 36 | 53 | 9.65 |
| 31322 | 110 | 240 | 63 | 38 | 57 | 12 |
| 31324 | 120 | 260 | 68 | 42 | 62 | 15.5 |
| 31326 | 130 | 280 | 72 | 44 | 66 | 18.5 |
| 31328 | 140 | 300 | 77 | 47 | 70 | 24.5 |
| 31330 | 150 | 320 | 82 | 50 | 75 | 29.5 |
| 32004 | 20 | 42 | 15 | 12 | 15 | 0.097 |
| 32005 | 25 | 47 | 15 | 11.5 | 15 | 0.11 |
| 32006 | 30 | 55 | 17 | 13 | 17 | 0.17 |
| 32007 | 35 | 62 | 18 | 14 | 18 | 0.22 |
| 32008 | 40 | 68 | 19 | 14.5 | 19 | 0.27 |

METRIC

| Bearings No | Main Dimension (mm) | | | | B (Width of inner ring) | Weight (kgs) |
|-------------|---------------------|----------------------|-----------------|-------------------------|-------------------------|--------------|
| | d (Bore diameter) | D (Outside diameter) | T (Total width) | C (Width of outer ring) | | |
| 32009 | 45 | 75 | 20 | 15.5 | 20 | 0.34 |
| 32010 | 50 | 80 | 20 | 15.5 | 20 | 0.37 |
| 32011 | 55 | 90 | 23 | 17.5 | 23 | 0.55 |
| 32012 | 60 | 95 | 23 | 17.5 | 23 | 0.59 |
| 32013 | 65 | 100 | 23 | 17.5 | 23 | 0.63 |
| 32014 | 70 | 110 | 25 | 19 | 25 | 0.84 |
| 32015 | 75 | 115 | 25 | 19 | 25 | 0.9 |
| 32016 | 80 | 125 | 29 | 22 | 29 | 1.3 |
| 32017 | 85 | 130 | 29 | 22 | 29 | 1.35 |
| 32018 | 90 | 140 | 32 | 24 | 32 | 1.75 |
| 32019 | 95 | 145 | 32 | 24 | 32 | 1.8 |
| 32020 | 100 | 150 | 32 | 24 | 32 | 1.9 |
| 32021 | 105 | 160 | 35 | 26 | 35 | 2.4 |
| 32022 | 110 | 170 | 38 | 29 | 38 | 3.05 |
| 32024 | 120 | 180 | 38 | 29 | 38 | 3.25 |
| 32026 | 130 | 200 | 45 | 34 | 45 | 4.95 |
| 32028 | | | | | | |
| 32030 | 140 | 210 | 45 | 34 | 45 | 5.25 |
| 32032 | 150 | 225 | 48 | 36 | 48 | 6.35 |
| 32034 | 160 | 240 | 51 | 38 | 51 | 7.75 |
| 32036 | 170 | 260 | 57 | 43 | 57 | 10.5 |
| 32038 | 180 | 280 | 64 | 48 | 64 | 14.5 |
| 32040 | 190 | 290 | 64 | 48 | 64 | 15 |
| 32044 | 200 | 310 | 70 | 53 | 70 | 19.5 |
| 32048 | 220 | 340 | 76 | 57 | 76 | 25.5 |
| 32052 | 240 | 360 | 76 | 57 | 76 | 27.5 |
| 32056 | 260 | 400 | 87 | 65 | 87 | 38 |
| 32060 | 280 | 420 | 87 | 65 | 87 | 40.2 |
| 32064 | 300 | 460 | 100 | 74 | 100 | 57.5 |
| 32203 | 320 | 480 | 100 | 74 | 100 | 60.6 |
| 32204 | 17 | 40 | 17.25 | 14 | 16 | 0.102 |
| 32205 | 20 | 47 | 19.25 | 15 | 18 | 0.161 |
| 32206 | 25 | 52 | 19.25 | 15 | 18 | 0.19 |
| 32207 | 30 | 62 | 21.25 | 17 | 20 | 0.28 |
| 32208 | 35 | 72 | 24.25 | 19 | 23 | 0.43 |
| 32209 | 40 | 80 | 24.75 | 19 | 23 | 0.53 |
| 32210 | 45 | 85 | 24.75 | 19 | 23 | 0.58 |
| 32211 | 50 | 90 | 24.75 | 19 | 23 | 0.61 |
| 32212 | 55 | 100 | 26.75 | 21 | 25 | 0.83 |
| 32213 | 60 | 110 | 29.75 | 24 | 28 | 1.15 |
| 32214 | 65 | 120 | 32.75 | 27 | 31 | 1.5 |
| 32215 | 70 | 125 | 33.25 | 27 | 31 | 1.6 |

METRIC

| Bearings No | Main Dimension (mm) | | | | B (Width of inner ring) | Weight (kgs) |
|-------------|---------------------|----------------------|-----------------|-------------------------|-------------------------|--------------|
| | d (Bore diameter) | D (Outside diameter) | T (Total width) | C (Width of outer ring) | | |
| 32216 | 80 | 140 | 35.25 | 28 | 33 | 2.05 |
| 32217 | 85 | 150 | 38.5 | 30 | 36 | 2.6 |
| 32218 | 90 | 160 | 42.5 | 34 | 40 | 3.35 |
| 32219 | 95 | 170 | 45.5 | 37 | 43 | 4.05 |
| 32220 | 100 | 180 | 49 | 39 | 46 | 4.9 |
| 32221 | 105 | 190 | 53 | 43 | 50 | 6 |
| 32222 | 110 | 200 | 56 | 46 | 53 | 7.1 |
| 32224 | 120 | 215 | 61.5 | 50 | 58 | 9.15 |
| 32226 | 130 | 230 | 67.75 | 54 | 64 | 11.5 |
| 32228 | 140 | 250 | 71.75 | 58 | 68 | 14.5 |
| 32230 | 150 | 270 | 77 | 60 | 73 | 17.5 |
| 32232 | 160 | 290 | 84 | 67 | 80 | 25.5 |
| 32234 | 170 | 310 | 91 | 71 | 86 | 28.5 |
| 32236 | 180 | 320 | 91 | 71 | 86 | 29.8 |
| 32238 | 190 | 340 | 97 | 75 | 92 | 36 |
| 32240 | 200 | 360 | 104 | 82 | 98 | 42.7 |
| 32244 | 220 | 400 | 114 | 90 | 108 | 58.3 |
| 32303 | 17 | 47 | 20.25 | 16 | 19 | 0.17 |
| 32304 | 20 | 52 | 22.25 | 18 | 21 | 0.23 |
| 32305 | 25 | 62 | 25.25 | 20 | 24 | 0.36 |
| 32306 | 30 | 72 | 28.75 | 23 | 27 | 0.55 |
| 32307 | 35 | 80 | 32.75 | 25 | 31 | 0.73 |
| 32308 | 40 | 90 | 35.25 | 27 | 33 | 1 |
| 32309 | 45 | 100 | 38.25 | 30 | 36 | 1.35 |
| 32310 | 50 | 110 | 42.25 | 33 | 40 | 1.8 |
| 32311 | 55 | 120 | 45.5 | 35 | 43 | 2.3 |
| 32312 | 60 | 130 | 48.5 | 37 | 46 | 2.85 |
| 32313 | 65 | 140 | 51 | 39 | 48 | 3.45 |
| 32314 | 70 | 150 | 54 | 42 | 51 | 4.3 |
| 32315 | 75 | 160 | 58 | 45 | 55 | 5.2 |
| 32316 | 80 | 170 | 61.5 | 48 | 58 | 6.2 |
| 32317 | 85 | 180 | 63.5 | 49 | 60 | 6.85 |
| 32318 | 90 | 190 | 67.5 | 53 | 64 | 8.4 |
| 32319 | 95 | 200 | 71.5 | 55 | 67 | 11 |
| 32320 | 100 | 215 | 77.5 | 60 | 73 | 12.5 |
| 32321 | 105 | 225 | 81.5 | 63 | 77 | 14.5 |
| 32322 | 110 | 240 | 84.5 | 65 | 80 | 17 |
| 32324 | 120 | 260 | 90.5 | 69 | 86 | 21.5 |
| 32326 | 130 | 280 | 98.75 | 78 | 93 | 26.2 |
| 32328 | 140 | 300 | 107.75 | 85 | 102 | 33.1 |
| 32330 | 150 | 320 | 114 | 90 | 108 | 39.3 |
| 32334 | 170 | 360 | 127 | 100 | 120 | 59.5 |
| 32922 | 110 | 150 | 25 | 20 | 25 | 1.25 |

METRIC

| Bearings No | Main Dimension (mm) | | | | B (Width of inner ring) | Weight (kgs) |
|-------------|---------------------|----------------------|-----------------|-------------------------|-------------------------|--------------|
| | d (Bore diameter) | D (Outside diameter) | T (Total width) | C (Width of outer ring) | | |
| 32924 | 120 | 165 | 29 | 23 | 29 | 1.82 |
| 32926 | 130 | 180 | 32 | 25 | 32 | 2.4 |
| 32928 | 140 | 190 | 32 | 25 | 32 | 2.55 |
| 32930 | 150 | 210 | 38 | 30 | 38 | 3.9 |
| 32932 | 160 | 220 | 38 | 30 | 38 | 4.13 |
| 32934 | 170 | 230 | 38 | 30 | 38 | 4.5 |
| 32936 | 180 | 250 | 45 | 34 | 45 | 6.65 |
| 32938 | 190 | 260 | 45 | 34 | 45 | 7 |
| 32940 | 200 | 280 | 51 | 39 | 51 | 9.5 |
| 32944 | 220 | 300 | 51 | 39 | 51 | 10.2 |
| 32948 | 240 | 320 | 51 | 39 | 51 | 11 |
| 32952 | 260 | 360 | 63.5 | 48 | 63.5 | 18.7 |
| 32956 | 280 | 380 | 63.5 | 48 | 63.5 | 20 |
| 32960 | 300 | 420 | 76 | 57 | 76 | 32 |
| 33005 | 25 | 47 | 17 | 18 | 17 | 0.13 |
| 33006 | 30 | 55 | 20 | 19.5 | 20 | 0.21 |
| 33007 | 35 | 62 | 21 | 22 | 21 | 0.27 |
| 33008 | 40 | 68 | 22 | 25 | 22 | 0.32 |
| 33009 | 45 | 75 | 24 | 25 | 24 | 0.41 |
| 33010 | 50 | 80 | 24 | 24.5 | 24 | 0.45 |
| 33011 | 55 | 90 | 27 | 27 | 27 | 0.66 |
| 33012 | 60 | 95 | 27 | 29 | 27 | 0.71 |
| 33013 | 65 | 100 | 27 | 32 | 27 | 0.76 |
| 33014 | 70 | 110 | 31 | 32 | 31 | 1.11 |
| 33015 | 75 | 115 | 31 | 31 | 31 | 1.18 |
| 33016 | 80 | 125 | 36 | 35 | 36 | 1.66 |
| 33017 | 85 | 130 | 36 | 37 | 36 | 1.75 |
| 33018 | 90 | 140 | 39 | 44 | 39 | 2.21 |
| 33019 | 95 | 145 | 39 | 48 | 39 | 2.3 |
| 33020 | 100 | 150 | 39 | 32.5 | 39 | 2.38 |
| 33021 | 105 | 160 | 43 | 34 | 43 | 3.03 |
| 33022 | 110 | 170 | 47 | 37 | 47 | 3.84 |
| 33024 | 120 | 180 | 48 | 38 | 48 | 4.2 |
| 33026 | 130 | 200 | 55 | 43 | 55 | 6.25 |
| 33028 | 140 | 210 | 56 | 44 | 56 | 6.74 |
| 33030 | 150 | 225 | 59 | 46 | 59 | 8.07 |
| 33205 | 25 | 52 | 22 | 22 | 22 | 0.22 |
| 33206 | 30 | 62 | 25 | 25 | 25 | 0.35 |
| 33207 | 35 | 72 | 28 | 28 | 28 | 0.53 |
| 33208 | 40 | 80 | 32 | 32 | 32 | 0.73 |
| 33209 | 45 | 85 | 32 | 32 | 32 | 0.79 |
| 33210 | 50 | 90 | 32 | 32 | 32 | 32 |
| 33211 | 55 | 100 | 35 | 35 | 35 | 1.16 |

METRIC

| Bearings No | Main Dimension (mm) | | | | B (Width of inner ring) | Weight (kgs) |
|-------------|---------------------|----------------------|-----------------|-------------------------|-------------------------|--------------|
| | d (Bore diameter) | D (Outside diameter) | T (Total width) | C (Width of outer ring) | | |
| 33212 | 65 | 110 | 38 | 38 | 38 | 1.55 |
| 33213 | 70 | 120 | 41 | 41 | 41 | 1.98 |
| 33214 | 75 | 125 | 41 | 41 | 41 | 2.09 |
| 33215 | 80 | 130 | 41 | 41 | 41 | 2.19 |
| 33216 | 85 | 140 | 46 | 46 | 46 | 2.91 |
| 33217 | 90 | 150 | 49 | 49 | 49 | 3.57 |
| 33219 | 95 | 170 | 58 | 58 | 58 | 5.46 |
| 33220 | 100 | 180 | 63 | 63 | 63 | 6.73 |



INCH

| Bearings No | Main Dimension (mm) | | | Weight (kgs) |
|---------------|---------------------|----------------------|-----------------|--------------|
| | d (Bore diameter) | D (Outside diameter) | T (Total width) | |
| 02474/02420 | 28.58 | 68.26 | 22.23 | 0.4 |
| 02475/02420 | 31.75 | 68.26 | 22.23 | 0.4 |
| 02872/02820 | 28.58 | 73.03 | 22.23 | 0.47 |
| 05066/05185 | 16.99 | 47 | 14.38 | 0.13 |
| 07087/07204 | 22.23 | 51.99 | 15.01 | 0.09 |
| 07087/07210X | 22.23 | 50.8 | 15.01 | 0.12 |
| 07087X/07210X | 22.23 | 50.8 | 15.01 | 0.12 |
| 07097/07204 | 25 | 51.99 | 15.01 | 0.1 |
| 07100/07196 | 25.4 | 50.01 | 13.5 | 0.11 |
| 07100/07204 | 25.4 | 51.99 | 15.01 | 0.14 |
| 07100S/07196 | 25.4 | 50.01 | 13.5 | 0.11 |
| 07100S/07210X | 25.4 | 50.8 | 15.01 | 0.13 |
| 09067/09195 | 19.05 | 49.23 | 18.03 | 0.17 |
| 09067/09196 | 19.05 | 49.23 | 21.21 | 0.19 |
| 09074/09194 | 19.05 | 49.23 | 23.02 | 0.2 |
| 09074/09195 | 19.05 | 49.23 | 19.85 | 0.18 |
| 09074/09196 | 19.05 | 49.23 | 23.02 | 0.2 |
| 09081/09195 | 20.63 | 49.23 | 19.85 | 0.19 |
| 09081/09196 | 20.63 | 49.23 | 23.02 | 0.2 |
| 11162/11300 | 41.28 | 76.2 | 18.01 | 0.33 |
| 11163/11300 | 41.28 | 76.2 | 18.01 | 0.33 |
| 11590/11520 | 15.88 | 42.86 | 14.29 | 0.1 |
| 1280/1220 | 22.23 | 57.15 | 22.23 | 0.28 |
| 13685/13621 | 38.1 | 69.01 | 19.05 | 0.29 |
| 13686/13621 | 38.1 | 69.01 | 26.19 | 0.34 |
| 13687/13620 | 38.1 | 69.01 | 19.05 | 0.29 |
| 13687/13621 | 38.1 | 69.01 | 19.05 | 0.29 |
| 1380/1328 | 22.23 | 52.39 | 19.37 | 0.2 |
| 14116/14276 | 30.23 | 69.01 | 19.85 | 0.35 |
| 14118/14274 | 30 | 69.01 | 19.85 | 0.36 |
| 14118/14283 | 30 | 72.09 | 22.39 | 0.44 |
| 14123AA/14274 | 31.75 | 69.01 | 26.98 | 0.4 |
| 14123AA/14276 | 31.75 | 69.01 | 26.98 | 0.39 |
| 14125A/14274 | 31.75 | 69.01 | 19.85 | 0.35 |
| 14125A/14276 | 31.75 | 69.01 | 19.85 | 0.35 |
| 14125A/14283 | 31.75 | 72.09 | 22.39 | 0.43 |
| 14130/14274 | 33.34 | 69.01 | 19.85 | 0.34 |
| 14130/14276 | 33.34 | 69.01 | 19.85 | 0.34 |
| 14131/14274 | 33.34 | 69.01 | 19.85 | 0.34 |
| 14131/14276 | 33.34 | 69.01 | 19.85 | 0.34 |
| 14136A/14276 | 34.93 | 69.01 | 26.98 | 0.35 |
| 14137A/14274 | 34.93 | 69.01 | 19.85 | 0.32 |
| 14137A/14276 | 34.93 | 69.01 | 19.85 | 0.32 |

INCH

| Bearings No | Main Dimension (mm) | | | Weight (kgs) |
|---------------|---------------------|----------------------|-----------------|--------------|
| | d (Bore diameter) | D (Outside diameter) | T (Total width) | |
| 14137AS/14276 | 34.93 | 69.01 | 19.85 | 0.32 |
| 14138A/14274 | 34.93 | 69.01 | 19.85 | 0.32 |
| 14138A/14276 | 34.93 | 69.01 | 19.85 | 0.32 |
| 14138A/14283 | 34.93 | 72.09 | 22.39 | 0.4 |
| 14585/14525 | 34.93 | 68.26 | 20.64 | 0.31 |
| 15100/15245 | 25.4 | 62 | 19.05 | 0.29 |
| 15100/15250 | 25.4 | 63.5 | 20.64 | 0.32 |
| 15100/15250X | 25.4 | 63.5 | 20.64 | 0.32 |
| 15101/15245 | 25.4 | 62 | 19.05 | 0.29 |
| 15101/15250 | 25.4 | 63.5 | 20.64 | 0.32 |
| 15101/15250X | 25.4 | 63.5 | 20.64 | 0.32 |
| 15103S/15243 | 26.16 | 61.91 | 19.05 | 0.29 |
| 15103S/15245 | 26.16 | 62 | 19.05 | 0.29 |
| 15106/15245 | 26.99 | 62 | 19.05 | 0.28 |
| 15106/15250 | 26.99 | 63.5 | 20.64 | 0.31 |
| 15106/15250X | 26.99 | 63.5 | 20.64 | 0.31 |
| 15112/15245 | 28.58 | 62 | 19.05 | 0.27 |
| 15112/15250 | 28.58 | 63.5 | 20.64 | 0.3 |
| 15112/15250X | 28.58 | 63.5 | 20.64 | 0.3 |
| 15117/15245 | 29.99 | 62 | 19.05 | 0.26 |
| 15118/15245 | 30.21 | 62 | 19.05 | 0.26 |
| 15118/15250 | 30.21 | 63.5 | 20.64 | 0.29 |
| 15118/15250X | 30.21 | 63.5 | 20.64 | 0.29 |
| 15123/15244 | 31.75 | 62 | 19.75 | 0.15 |
| 15123/15245 | 31.75 | 62 | 18.16 | 0.24 |
| 15123/15250X | 31.75 | 63.5 | 19.75 | 0.27 |
| 15126/15245 | 31.75 | 62 | 19.05 | 0.25 |
| 15126/15250X | 31.75 | 63.5 | 20.64 | 0.28 |
| 15578/15520 | 25.4 | 57.15 | 17.46 | 0.21 |
| 15579X/15520 | 25.99 | 57.15 | 17.46 | 0.21 |
| 15580/15520 | 26.99 | 57.15 | 17.46 | 0.21 |
| 16150/16284 | 38.1 | 72.24 | 20.64 | 0.35 |
| 1680/1620 | 33.34 | 66.68 | 20.64 | 0.3 |
| 1779/1729X | 23.81 | 56.9 | 19.37 | 0.25 |
| 1780/1729 | 25.4 | 56.9 | 19.37 | 0.24 |
| 17887/17831 | 45.23 | 79.99 | 19.84 | 0.39 |
| 18590/18520 | 41.28 | 73.03 | 16.67 | 0.28 |
| 18690/18620 | 46.04 | 79.38 | 17.46 | 0.33 |
| 18790/18720 | 50.8 | 85 | 17.46 | 0.36 |
| 19150/19268 | 38.1 | 68.26 | 15.88 | 0.23 |
| 1985/1922 | 28.58 | 57.15 | 19.85 | 0.22 |
| 1985/1930 | 28.58 | 56.9 | 19.85 | 0.22 |
| 1985/1931 | 28.58 | 60.33 | 19.85 | 0.27 |

INCH

| Bearings No | Main Dimension (mm) | | | Weight (kgs) |
|---------------|---------------------|----------------------|-----------------|--------------|
| | d (Bore diameter) | D (Outside diameter) | T (Total width) | |
| 1985/1932 | 28.58 | 58.74 | 19.05 | 0.23 |
| 1986/1931 | 25.4 | 60.33 | 19.85 | 0.27 |
| 1986/1932 | 25.4 | 58.74 | 19.05 | 0.26 |
| 1988/1922 | 28.58 | 57.15 | 19.85 | 0.21 |
| 1988/1931 | 28.58 | 60.33 | 19.85 | 0.24 |
| 21075/21212 | 19.05 | 53.98 | 22.23 | 0.25 |
| 23690/23620 | 34.93 | 73.03 | 26.99 | 0.51 |
| 24780/24720 | 41.28 | 76.2 | 22.23 | 0.42 |
| 24780/24721 | 41.28 | 76.2 | 25.4 | 0.46 |
| 24781/24720 | 41.28 | 76.2 | 22.23 | 0.42 |
| 24781/24721 | 41.28 | 76.2 | 25.4 | 0.46 |
| 25576/25520 | 42.86 | 82.93 | 23.81 | 0.57 |
| 25577/25520 | 42.88 | 82.93 | 23.81 | 0.57 |
| 25577/25521 | 42.88 | 83.06 | 23.81 | 0.57 |
| 25577/25522 | 42.88 | 83.06 | 23.88 | 0.57 |
| 25577/25523 | 42.88 | 82.93 | 26.99 | 0.61 |
| 25578/25520 | 42.86 | 82.93 | 23.81 | 0.57 |
| 25578/25521 | 42.86 | 83.06 | 23.81 | 0.57 |
| 25578/25522 | 42.86 | 83.06 | 23.88 | 0.57 |
| 25578/25523 | 42.86 | 82.93 | 26.99 | 0.61 |
| 25580/25520 | 44.45 | 82.93 | 23.81 | 0.55 |
| 25580/25521 | 44.45 | 83.06 | 23.81 | 0.55 |
| 25580/25522 | 44.45 | 83.06 | 23.88 | 0.55 |
| 25580/25523 | 44.45 | 82.93 | 26.99 | 0.59 |
| 25581/25520 | 44.45 | 82.93 | 23.81 | 0.55 |
| 25584/25520 | 44.98 | 82.93 | 23.81 | 0.56 |
| 25584/25521 | 44.98 | 83.06 | 23.81 | 0.55 |
| 25584/25547RB | 44.98 | 100 | 25.4 | 1.32 |
| 25584A/25520 | 44.99 | 82.93 | 23.81 | 0.55 |
| 25590/25520 | 45.62 | 82.93 | 23.81 | 0.53 |
| 25590/25521 | 45.62 | 83.06 | 23.81 | 0.53 |
| 25590/25522 | 45.62 | 83.06 | 23.88 | 0.53 |
| 25590/25523 | 45.62 | 82.93 | 26.99 | 0.58 |
| 2580/2520 | 31.75 | 66.42 | 25.4 | 0.4 |
| 2580/2523 | 31.75 | 69.85 | 23.81 | 0.44 |
| 2585/2523 | 33.34 | 69.85 | 23.81 | 0.42 |
| 25877/25820 | 34.93 | 73.03 | 23.81 | 0.46 |
| 25877/25821 | 34.93 | 73.03 | 23.81 | 0.46 |
| 25878/25820 | 34.93 | 73.03 | 23.81 | 0.46 |
| 25880/25820 | 36.49 | 73.03 | 23.81 | 0.44 |
| 25880/25821 | 36.49 | 73.03 | 23.81 | 0.44 |
| 26878/26823 | 38.1 | 76.2 | 25.4 | 0.53 |
| 26882/26820 | 41.28 | 80.17 | 25.4 | 0.55 |

INCH

| Bearings No | Main Dimension (mm) | | | Weight (kgs) |
|---------------|---------------------|----------------------|-----------------|--------------|
| | d (Bore diameter) | D (Outside diameter) | T (Total width) | |
| 26882/26822 | 41.28 | 79.38 | 23.81 | 0.51 |
| 26884/26823 | 42.88 | 76.2 | 25.4 | 0.46 |
| 2689/2631 | 28.58 | 66.42 | 23.81 | 0.41 |
| 27687/27620 | 82.55 | 125.41 | 25.4 | 1.05 |
| 27690/27620 | 83.35 | 125.41 | 25.4 | 1.03 |
| 27695/27620 | 84.98 | 125.41 | 25.4 | 0.97 |
| 2780/2720 | 36.49 | 76.2 | 23.81 | 0.51 |
| 2780/2729 | 36.49 | 76.2 | 23.81 | 0.5 |
| 2788/2720 | 38.1 | 76.2 | 23.81 | 0.5 |
| 2788/2729 | 38.1 | 76.2 | 23.81 | 0.5 |
| 2789/2720 | 39.69 | 76.2 | 23.81 | 0.48 |
| 2789/2729 | 39.69 | 76.2 | 23.81 | 0.48 |
| 28137/28317 | 34.93 | 80.04 | 21.43 | 0.49 |
| 28579/28520 | 49.99 | 89.98 | 24.75 | 0.64 |
| 28580/28520 | 50.8 | 89.98 | 24.75 | 0.64 |
| 28580/28521 | 50.8 | 92.08 | 24.61 | 0.68 |
| 28580/28527RB | 50.8 | 100 | 24.61 | 0.88 |
| 28584/28521 | 52.39 | 92.08 | 24.61 | 0.63 |
| 28680/28622 | 55.56 | 97.63 | 24.6 | 0.75 |
| 28682/28621 | 57.15 | 96.84 | 24.61 | 0.7 |
| 28682/28622 | 57.15 | 97.63 | 24.61 | 0.72 |
| 28985/28920 | 60.33 | 101.6 | 25.4 | 0.79 |
| 28985/28921 | 60.33 | 100 | 25.4 | 0.74 |
| 29585/29520 | 63.5 | 107.95 | 25.4 | 0.93 |
| 29586/29520 | 63.5 | 107.95 | 25.4 | 0.83 |
| 29586/29522 | 63.5 | 107.95 | 25.4 | 0.83 |
| 29590/29520 | 66.68 | 107.95 | 25.4 | 0.83 |
| 29590/29522 | 66.68 | 107.95 | 25.4 | 0.83 |
| 29675/29620 | 69.85 | 112.71 | 25.4 | 0.86 |
| 29675/29630 | 69.85 | 120.65 | 25.4 | 1.15 |
| 29685/29620 | 73.03 | 112.71 | 25.4 | 0.86 |
| 29688/29620 | 73.82 | 112.71 | 25.4 | 0.84 |
| 31593/31520 | 34.93 | 76.2 | 29.37 | 0.62 |
| 31594/31520 | 34.93 | 76.2 | 29.37 | 0.62 |
| 33262/33462 | 66.68 | 117.48 | 30.16 | 1.31 |
| 33262A/33461 | 66.68 | 117.48 | 30.16 | 1.33 |
| 33275/33462 | 69.85 | 117.48 | 30.16 | 1.23 |
| 33275/33472 | 69.85 | 120 | 29.79 | 1.31 |
| 33281/33462 | 71.44 | 117.48 | 30.16 | 1.19 |
| 33281/33472 | 71.44 | 120 | 29.79 | 1.27 |
| 33287/33462 | 73.03 | 117.48 | 30.16 | 1.15 |
| 33287/33472 | 73.03 | 120 | 29.79 | 1.22 |
| 336/332 | 41.28 | 80 | 21 | 0.45 |

INCH

| Bearings No | Main Dimension (mm) | | | Weight (kgs) |
|--------------|---------------------|----------------------|-----------------|--------------|
| | d (Bore diameter) | D (Outside diameter) | T (Total width) | |
| 3381/3320 | 38.1 | 80.17 | 29.37 | 0.68 |
| 3382/3320 | 39.69 | 80.17 | 29.37 | 0.65 |
| 3384/3320 | 41.28 | 80.17 | 29.37 | 0.67 |
| 3386/3320 | 39.69 | 80.17 | 29.37 | 0.65 |
| 3386/3325 | 39.69 | 79.98 | 29.37 | 0.64 |
| 33885/33822 | 44.45 | 95.25 | 27.78 | 0.94 |
| 33889/33821 | 50.8 | 95.25 | 27.78 | 0.83 |
| 33889/33822 | 50.8 | 95.25 | 27.78 | 0.83 |
| 33891/33821 | 52.39 | 95.25 | 27.78 | 0.8 |
| 33895/33821 | 53.98 | 95.25 | 27.78 | 0.78 |
| 33895/33822 | 53.98 | 95.25 | 27.78 | 0.78 |
| 342A/332 | 41.28 | 80 | 28.57 | 0.52 |
| 34300/34478 | 76.2 | 121.44 | 24.61 | 0.93 |
| 34300/34500 | 76.2 | 127 | 26.99 | 1.15 |
| 34301/34500 | 76.2 | 127 | 26.99 | 1.17 |
| 34306/34478 | 77.79 | 121.44 | 24.61 | 0.89 |
| 344/332 | 40 | 80 | 21 | 0.47 |
| 3477/3420 | 33.34 | 79.38 | 29.37 | 0.46 |
| 3478/3420 | 34.93 | 79.38 | 29.37 | 0.69 |
| 3490/3420 | 38.1 | 79.38 | 29.37 | 0.64 |
| 355X/352 | 44.45 | 90.12 | 23 | 0.67 |
| 3577/3520 | 41.28 | 84.14 | 30.16 | 0.74 |
| 3577/3525 | 41.28 | 87.31 | 30.16 | 0.81 |
| 3578/3520 | 44.45 | 84.14 | 30.16 | 0.68 |
| 3578/3525 | 44.45 | 87.31 | 30.16 | 0.76 |
| 3585/3525 | 41.28 | 87.31 | 30.16 | 0.81 |
| 3586/3525 | 45.24 | 79.98 | 30.16 | 0.76 |
| 359A/354X | 46.04 | 85 | 20.64 | 0.49 |
| 359S/354X | 46.04 | 85 | 20.64 | 0.49 |
| 365/362 | 50 | 90 | 20 | 0.52 |
| 368A/362A | 50.8 | 88.9 | 20.64 | 0.49 |
| 368A/362X | 50.8 | 90 | 25 | 0.49 |
| 368S/362 | 51.59 | 90 | 20 | 0.45 |
| 368S/362A | 51.59 | 88.9 | 20.64 | 0.45 |
| 369A/362A | 47.63 | 88.9 | 20.64 | 0.53 |
| 369A/363 | 47.63 | 90 | 20 | 0.57 |
| 369S/362 | 47.63 | 90 | 20 | 0.54 |
| 369S/362A | 47.63 | 88.9 | 20.64 | 0.53 |
| 369S/363 | 47.63 | 90 | 20 | 0.57 |
| 37425/37625 | 107.95 | 158.75 | 23.02 | 1.33 |
| 37431/37625 | 109.54 | 158.75 | 23.02 | 1.29 |
| 37431A/37625 | 109.54 | 158.75 | 23.02 | 1.29 |
| 3767/3720 | 52.39 | 93.26 | 30.16 | 0.8 |

INCH

| Bearings No | Main Dimension (mm) | | | Weight (kgs) |
|-------------|---------------------|----------------------|-----------------|--------------|
| | d (Bore diameter) | D (Outside diameter) | T (Total width) | |
| 3775/3720 | 50.8 | 93.26 | 30.16 | 0.8 |
| 3776/3720 | 44.98 | 93.26 | 30.16 | 0.93 |
| 3778/3720 | 47.63 | 93.26 | 30.16 | 0.89 |
| 3780/3720 | 50.8 | 93.26 | 30.16 | 0.83 |
| 3780/3727 | 50.8 | 93.66 | 30.16 | 0.84 |
| 3782/3720 | 44.45 | 93.26 | 30.16 | 0.94 |
| 3784/3720 | 50.8 | 93.26 | 30.16 | 0.83 |
| 3784/3727 | 50.8 | 93.66 | 30.16 | 0.84 |
| 385/382 | 55 | 98.43 | 21 | 0.65 |
| 385/382A | 55 | 96.84 | 21 | 0.6 |
| 385A/382 | 50.8 | 98.43 | 21 | 0.7 |
| 385A/382A | 50.8 | 96.84 | 21 | 0.66 |
| 386A/382A | 47.63 | 96.84 | 21 | 0.7 |
| 387/382 | 57.15 | 98.43 | 21 | 0.61 |
| 387/382A | 57.15 | 96.84 | 21 | 0.57 |
| 387/382S | 57.15 | 96.84 | 25.4 | 0.64 |
| 3872/3820 | 34.93 | 85.73 | 30.16 | 0.88 |
| 3877/3820 | 41.28 | 85.73 | 30.16 | 0.78 |
| 3878/3820 | 36.51 | 85.73 | 30.16 | 0.85 |
| 387A/382 | 57.15 | 98.43 | 21 | 0.61 |
| 387A/382A | 57.15 | 96.84 | 21 | 0.57 |
| 387A/382S | 57.15 | 96.84 | 25.4 | 0.64 |
| 387A/383A | 57.15 | 100 | 21 | 0.66 |
| 387AS/382A | 57.15 | 96.84 | 21 | 0.57 |
| 387AS/382S | 57.15 | 96.84 | 25.4 | 0.64 |
| 387S/382 | 57.15 | 98.43 | 21 | 0.64 |
| 387S/382S | 57.15 | 96.84 | 25.4 | 0.64 |
| 387S/383A | 57.15 | 100 | 21 | 0.65 |
| 388A/382 | 57.53 | 98.43 | 21 | 0.62 |
| 389A/382A | 53.98 | 96.84 | 21 | 0.62 |
| 389A/383A | 53.98 | 100 | 21 | 0.64 |
| 389AS/382 | 53.98 | 98.43 | 21 | 0.69 |
| 390/394A | 57.15 | 110 | 22 | 0.51 |
| 392/394A | 61.91 | 110 | 22 | 0.84 |
| 39250/39412 | 63.5 | 104.78 | 21.43 | 0.85 |
| 395/394A | 63.5 | 110 | 22 | 0.81 |
| 39580/39520 | 57.15 | 112.71 | 30.16 | 1.36 |
| 39580/39528 | 57.15 | 119.99 | 32.75 | 1.69 |
| 39581/39520 | 57.15 | 112.71 | 30.16 | 1.36 |
| 39585/39520 | 63.5 | 112.71 | 30.16 | 1.22 |
| 39590/39520 | 66.68 | 112.71 | 30.16 | 1.14 |
| 395A/394A | 66.68 | 110 | 22 | 0.76 |
| 395S/394A | 66.68 | 110 | 22 | 0.76 |

INCH

| Bearings No | Main Dimension (mm) | | | Weight (kgs) |
|---------------|---------------------|----------------------|-----------------|--------------|
| | d (Bore diameter) | D (Outside diameter) | T (Total width) | |
| 3979/JM511910 | 57.15 | 110 | 29.15 | 1.25 |
| 3980/3920 | 60.33 | 112.71 | 30.16 | 1.29 |
| 3982/3920 | 63.5 | 112.71 | 30.16 | 1.22 |
| 3982/3927X | 63.5 | 110 | 30.16 | 1.13 |
| 3984/3920 | 66.68 | 112.71 | 30.16 | 1.14 |
| 3984/3925 | 66.68 | 112.71 | 30.16 | 1.14 |
| 3994/3920 | 66.68 | 112.71 | 30.16 | 1.14 |
| 3994/3927X | 66.68 | 110 | 30.16 | 1.06 |
| 399A/394A | 68.26 | 110 | 22 | 0.73 |
| 399AS/394A | 68.26 | 110 | 22 | 0.73 |
| 41125/41286 | 28.58 | 72.63 | 24.61 | 0.46 |
| 418/414 | 38.1 | 88.5 | 26.99 | 0.82 |
| 419/414 | 41.28 | 88.5 | 26.99 | 0.77 |
| 42350/42584 | 88.9 | 148.43 | 28.58 | 1.77 |
| 42362/42584 | 92.08 | 148.43 | 28.58 | 1.77 |
| 42368/42584 | 93.66 | 148.43 | 28.58 | 1.77 |
| 42381/42584 | 96.84 | 148.43 | 28.58 | 1.66 |
| 42688/42620 | 76.2 | 127 | 30.16 | 1.39 |
| 43112/43312 | 28.58 | 79.38 | 25.4 | 0.62 |
| 4367X/4335 | 39.69 | 90.49 | 39.69 | 1.27 |
| 4388/4335 | 41.28 | 90.49 | 39.69 | 1.18 |
| 44131/44348 | 33.34 | 88.5 | 25.4 | 0.76 |
| 44162/44348 | 41.28 | 88.5 | 25.4 | 0.66 |
| 45280/45220 | 44.45 | 104.78 | 30.16 | 1.35 |
| 45284/45220 | 50.8 | 104.78 | 30.16 | 1.19 |
| 45285A/45220 | 50.8 | 104.78 | 30.16 | 1.21 |
| 45285A/45220B | 50.8 | 110.23 | 30.16 | 1.25 |
| 45285A/45221 | 50.8 | 104.78 | 30.16 | 1.21 |
| 45289/45220 | 57.15 | 104.78 | 30.16 | 1.1 |
| 45291/45220 | 57.15 | 104.78 | 30.16 | 1.07 |
| 455/453X | 50.8 | 104.78 | 30.16 | 1.15 |
| 4580/4535 | 50.8 | 104.78 | 39.69 | 1.65 |
| 462/453X | 57.15 | 104.78 | 30.16 | 1.03 |
| 462A/453X | 57.15 | 104.78 | 30.16 | 1.03 |
| 469/453X | 57.15 | 104.78 | 30.16 | 1.03 |
| 47487/47420 | 69.85 | 120 | 32.55 | 1.46 |
| 47490/47420 | 71.44 | 120 | 32.55 | 1.41 |
| 476/472 | 60 | 120 | 29.8 | 1.51 |
| 47679/47620 | 76.2 | 133.35 | 33.34 | 1.9 |
| 47686/47620 | 82.55 | 133.35 | 33.34 | 1.65 |
| 47687/47623A | 82.55 | 136.53 | 44.45 | 2.32 |
| 47890/47820 | 92.08 | 146.05 | 33.34 | 2.04 |
| | | | | |

INCH

| Bearings No | Main Dimension (mm) | | | Weight (kgs) |
|--------------|---------------------|----------------------|-----------------|--------------|
| | d (Bore diameter) | D (Outside diameter) | T (Total width) | |
| 48190/48120 | 107.95 | 161.93 | 34.93 | 2.33 |
| 482/472 | 69.85 | 120 | 29.8 | 1.27 |
| 482/472A | 69.85 | 120 | 29 | 1.25 |
| 482/472X | 69.85 | 123.83 | 30.16 | 1.41 |
| 48290/48220 | 127 | 182.56 | 39.69 | 3.26 |
| 482E/472 | 69.85 | 120 | 46.75 | 1.65 |
| 484/472 | 70 | 120 | 29.8 | 1.26 |
| 484/472A | 70 | 120 | 29 | 1.24 |
| 48684/48620 | 142.88 | 200.03 | 41.28 | 3.84 |
| 49162/49368 | 41.28 | 93.66 | 31.75 | 1.02 |
| 49175/49368 | 44.45 | 93.66 | 31.75 | 0.97 |
| 495/492A | 82.55 | 133.35 | 30.16 | 1.48 |
| 495/493 | 82.55 | 136.53 | 30.16 | 1.59 |
| 49585/49520 | 50.8 | 101.6 | 31.75 | 1.1 |
| 495A/492A | 76.2 | 133.35 | 30.16 | 1.66 |
| 495A/493 | 76.2 | 136.53 | 30.16 | 1.78 |
| 496/493 | 80.96 | 136.53 | 30.16 | 1.64 |
| 497/492A | 85.73 | 133.35 | 30.16 | 1.38 |
| 497/493 | 85.73 | 136.53 | 30.16 | 1.5 |
| 498/492A | 84.14 | 133.35 | 30.16 | 1.43 |
| 498/493 | 84.14 | 136.53 | 30.16 | 1.55 |
| 52387/52618 | 98.43 | 157.16 | 36.51 | 2.54 |
| 52400/52618 | 101.6 | 157.16 | 36.51 | 2.41 |
| 527/522 | 44.45 | 101.6 | 34.93 | 1.27 |
| 527S/522 | 44.98 | 101.6 | 34.93 | 1.33 |
| 528/522 | 47.63 | 101.6 | 34.93 | 1.27 |
| 529/520X1 | 50.8 | 100 | 34.93 | 1.15 |
| 529/522 | 50.8 | 101.6 | 34.93 | 1.2 |
| 529X/522 | 50.8 | 101.6 | 34.93 | 1.2 |
| 53176/53375 | 44.45 | 95.25 | 30.96 | 0.9 |
| 53177/53375 | 44.45 | 95.25 | 30.96 | 0.89 |
| 53178/53375 | 44.45 | 95.25 | 30.96 | 0.93 |
| 53178/53377 | 44.45 | 95.25 | 30.96 | 0.9 |
| 536/532X | 47.63 | 107.95 | 36.51 | 1.57 |
| 537/532X | 50.8 | 107.95 | 36.51 | 1.5 |
| 538/532 | 54.99 | 111.13 | 38.1 | 1.64 |
| 538/532A | 54.99 | 111.13 | 38.1 | 1.57 |
| 539/532A | 53.98 | 111.13 | 38.1 | 1.62 |
| 539/532X | 53.98 | 107.95 | 36.51 | 1.43 |
| 5395/5335 | 49.21 | 103.19 | 43.66 | 1.3 |
| 55175C/55437 | 44.45 | 111.13 | 30.16 | 1.46 |
| 55187C/55437 | 47.63 | 111.13 | 30.16 | 1.39 |
| 55200C/55437 | 50.8 | 111.13 | 30.16 | 1.34 |

INCH

| Bearings No | Main Dimension (mm) | | | Weight (kgs) |
|--------------|---------------------|----------------------|-----------------|--------------|
| | d (Bore diameter) | D (Outside diameter) | T (Total width) | |
| 55206C/55437 | 52.39 | 111.13 | 30.16 | 0.86 |
| 55212C/55437 | 53.98 | 111.13 | 30.16 | 1.3 |
| 555S/552A | 57.15 | 123.83 | 38.1 | 2.15 |
| 5566/5535 | 55.56 | 122.24 | 43.66 | 2.56 |
| 557S/552A | 53.97 | 123.82 | 38.1 | 2.22 |
| 559/552A | 63.5 | 123.83 | 38.1 | 1.98 |
| 56425/56650 | 107.95 | 165.1 | 36.51 | 2.68 |
| 566/563 | 69.85 | 127 | 36.51 | 1.87 |
| 567/563 | 73.03 | 127 | 36.51 | 1.81 |
| 567X/563 | 73.03 | 127 | 36.51 | 1.81 |
| 568/563 | 73.82 | 127 | 36.51 | 1.76 |
| 575/572 | 76.2 | 139.99 | 36.51 | 2.32 |
| 575/572A | 76.2 | 139.98 | 35.25 | 2.33 |
| 575/572X | 76.2 | 139.7 | 36.51 | 2.31 |
| 576/572 | 73.03 | 139.99 | 36.51 | 2.47 |
| 5760/5735 | 76.2 | 135.73 | 44.45 | 2.7 |
| 580/572 | 82.55 | 139.99 | 36.51 | 2.1 |
| 580/572A | 82.55 | 139.98 | 35.25 | 2.11 |
| 580/572X | 82.55 | 139.7 | 36.51 | 2.08 |
| 582/572 | 82.55 | 139.99 | 36.51 | 2.1 |
| 59162/59412 | 41.28 | 104.78 | 36.51 | 1.6 |
| 59175/59412 | 44.45 | 104.78 | 36.51 | 1.54 |
| 594/592A | 95.25 | 152.4 | 39.69 | 2.43 |
| 594/593X | 95.25 | 150 | 35.99 | 2.2 |
| 594A/592A | 95.25 | 152.4 | 39.69 | 2.45 |
| 594A/593X | 95.25 | 150 | 35.99 | 2.5 |
| 598/592A | 92.08 | 152.4 | 39.69 | 2.49 |
| 598A/592A | 92.08 | 152.4 | 39.69 | 2.49 |
| 598A/593X | 92.08 | 150 | 35.99 | 2.5 |
| 619/612 | 50.8 | 120.65 | 41.28 | 2.27 |
| 621/612 | 53.98 | 120.65 | 41.28 | 2.2 |
| 6280/6220 | 53.98 | 127 | 50.8 | 3.23 |
| 6379/6320 | 65.09 | 135.76 | 53.98 | 3.5 |
| 6386/6320 | 66.68 | 135.76 | 53.98 | 3.44 |
| 641/632 | 66.68 | 136.53 | 41.28 | 3.25 |
| 641/633 | 66.68 | 130.18 | 41.28 | 2.91 |
| 644/632 | 71.44 | 136.53 | 41.28 | 3.09 |
| 64450/64700 | 114.3 | 177.8 | 41.28 | 3.45 |
| 6461/6420 | 76.2 | 149.23 | 53.98 | 3.75 |
| 6461A/6420 | 76.2 | 149.22 | 53.98 | 4.25 |
| 65237/65500 | 60.33 | 127 | 44.45 | 2.5 |
| 65237/65500B | 60.33 | 127 | 44.45 | 2.58 |
| 659/653 | 76.2 | 146.05 | 41.28 | 2.92 |

INCH

| Bearings No | Main Dimension (mm) | | | Weight (kgs) |
|------------------|---------------------|----------------------|-----------------|--------------|
| | d (Bore diameter) | D (Outside diameter) | T (Total width) | |
| 663/653 | 82.55 | 146.05 | 41.28 | 2.67 |
| 665/653 | 85.73 | 146.05 | 41.28 | 2.61 |
| 66589/66520 | 59.97 | 122.24 | 33.34 | 1.6 |
| 665A/653 | 85.73 | 146.05 | 41.28 | 2.58 |
| 67885/67820 | 190.5 | 266.7 | 47.63 | 8.04 |
| 681/672 | 92.08 | 168.28 | 41.28 | 3.75 |
| 681A/672 | 92.08 | 168.28 | 41.28 | 3.72 |
| 683/672 | 95.25 | 168.28 | 41.28 | 3.6 |
| 68462/68712 | 117.48 | 180.98 | 34.93 | 2.75 |
| 687/672 | 101.6 | 168.28 | 41.28 | 3.29 |
| 69354/69630 | 89.99 | 160.1 | 30.12 | 2.33 |
| 72187/72487 | 47.63 | 123.83 | 36.51 | 2 |
| 72187C/72487 | 47.63 | 123.83 | 36.51 | 2.15 |
| 72200C/72487 | 50.8 | 123.83 | 36.51 | 2.14 |
| 72212/72487 | 53.98 | 123.83 | 36.51 | 1.87 |
| 72212C/72487 | 53.98 | 123.83 | 36.51 | 2 |
| 72218C/72487 | 55.56 | 123.83 | 36.51 | 2.08 |
| 72225C/72487 | 57.15 | 123.83 | 36.51 | 2.05 |
| 740/742 | 80.96 | 150.09 | 44.45 | 3.32 |
| 749/742 | 85.03 | 150.09 | 44.45 | 3.13 |
| 749A/742 | 82.55 | 150.09 | 44.45 | 3.2 |
| 749S/742 | 85.03 | 150.09 | 44.45 | 3.28 |
| 759/752 | 88.9 | 161.93 | 47.63 | 4.05 |
| 77375/77675 | 95.25 | 171.45 | 47.63 | 4.54 |
| 78215C/78551 | 53.98 | 140.03 | 36.51 | 2.75 |
| 78225C/78551 | 57.15 | 140.03 | 36.51 | 2.65 |
| 78250AC/78551 | 63.5 | 140.03 | 36.51 | 2.5 |
| 9278/9220 | 68.26 | 161.93 | 49.21 | 4.61 |
| 9285/9220 | 76.2 | 161.93 | 49.21 | 4.28 |
| 9380/9321 | 76.2 | 171.45 | 49.21 | 5 |
| A6075/A6157 | 19.05 | 39.99 | 12.01 | 0.07 |
| CUPF15398 | | 181.82 | 44.6 | 1.55 |
| CUPF15399 | | 185.02 | 52.4 | 2 |
| F15114 | 70 | 150 | 41.28 | 3.03 |
| F15343 | | | | 0.66 |
| F15344 | 41.18 | 82.55 | 22 | 0.5 |
| H212749/H212710 | 65.99 | 123.98 | 41.5 | 2.09 |
| H414242/H414210 | 66.68 | 136.53 | 41.28 | 2.73 |
| H414245X/H414210 | 68.26 | 136.53 | 41.28 | 2.68 |
| H715332/H715311 | 60.33 | 136.53 | 46.04 | 3.51 |
| H715334/H715311 | 61.91 | 136.53 | 46.04 | 3.44 |
| H715336/H715311 | 63.5 | 136.53 | 46.04 | 3.4 |
| H715340/H715311 | 65.09 | 136.53 | 46.04 | 3.34 |

INCH

| Bearings No | Main Dimension (mm) | | | Weight (kgs) |
|--------------------|---------------------|----------------------|-----------------|--------------|
| | d (Bore diameter) | D (Outside diameter) | T (Total width) | |
| H715341/H715311 | 66.68 | 136.53 | 46.04 | 3.28 |
| H715343/H715311 | 68.26 | 136.53 | 46.04 | 3.2 |
| H715345/H715311 | 71.44 | 136.53 | 46.04 | 3.08 |
| H715345/H715313W | 71.44 | 136.53 | 49.21 | 3.2 |
| H913842/H913810 | 61.91 | 146.05 | 41.28 | 2.85 |
| H913843/H913810 | 61.91 | 146.05 | 41.28 | 3.09 |
| H913849/H913810 | 69.85 | 146.05 | 41.28 | 2.85 |
| H924033/H924010 | 101.6 | 214.31 | 55.56 | 9.07 |
| HH228340/HH228310 | 120.65 | 254 | 77.79 | 18.6 |
| HM204043/HM204010 | 39.99 | 90.98 | 32 | 1 |
| HM212044/HM212011 | 60.33 | 122.24 | 38.1 | 2.05 |
| HM212047/HM212011 | 63.5 | 122.24 | 38.1 | 1.96 |
| HM212049/HM212010 | 66.68 | 122.24 | 38.1 | 1.84 |
| HM212049/HM212011 | 66.68 | 122.24 | 38.1 | 1.84 |
| HM215249/HM215210 | 75.99 | 131.98 | 39 | 2.08 |
| HM218248/HM218210 | 89.97 | 146.98 | 40 | 2.52 |
| HM220149/HM220110 | 99.98 | 156.98 | 42 | 2.84 |
| HM516449A/10 | 82.55 | 133.35 | 39.69 | 2.09 |
| HM516449C/HM516410 | 82.55 | 133.35 | 39.69 | 2.14 |
| HM518437/HM518411 | 76.2 | 152.4 | 43.89 | 3.5 |
| HM518437/HM518411W | 76.2 | 152.4 | 43.89 | 3.5 |
| HM518445/HM518410 | 88.9 | 152.4 | 39.69 | 2.77 |
| HM624749/HM624710 | 120.65 | 190.5 | 46.04 | 4.8 |
| HM801346/HM801310 | 38.1 | 82.55 | 29.37 | 0.75 |
| HM801346X/HM801310 | 38.1 | 82.55 | 29.37 | 0.75 |
| HM803145/HM803110 | 41.28 | 88.9 | 30.16 | 0.91 |
| HM803146/HM803110 | 41.28 | 88.9 | 30.16 | 0.88 |
| HM803149/HM803110 | 44.45 | 88.9 | 30.16 | 0.86 |
| HM804840/HM804810 | 41.28 | 95.25 | 30.16 | 1.06 |
| HM804843/HM804810 | 44.45 | 95.25 | 30.16 | 1 |
| HM804846/HM804810 | 47.63 | 95.25 | 30.16 | 0.96 |
| HM807040/HM807010 | 44.45 | 104.78 | 36.51 | 1.58 |
| HM807044/HM807010 | 49.21 | 104.78 | 36.51 | 1.48 |
| HM807046/HM807010 | 50.8 | 104.78 | 36.51 | 1.44 |
| HM807048/HM807010 | 54.49 | 104.78 | 36.51 | 1.47 |
| HM807049/HM807010 | 53.98 | 104.78 | 36.51 | 1.39 |
| HM813840/HM813811 | 55.56 | 127 | 36.51 | 2.29 |
| HM813841/HM813810 | 60.33 | 127 | 36.51 | 2.19 |
| HM813841/HM813811 | 60.33 | 127 | 36.51 | 2.19 |
| HM813842/HM813810 | 63.5 | 127 | 36.51 | 2.1 |
| HM813843/HM813810 | 61.91 | 127 | 36.51 | 2.13 |
| HM813844/HM813810 | 66.67 | 127 | 36.51 | 1.98 |
| HM813849/HM813810 | 71.44 | 127 | 36.51 | 1.85 |

INCH

| Bearings No | Main Dimension (mm) | | | Weight (kgs) |
|------------------------|---------------------|----------------------|-----------------|--------------|
| | d (Bore diameter) | D (Outside diameter) | T (Total width) | |
| HM813849/HM813811 | 71.44 | 127 | 36.51 | 1.85 |
| HM81649/HM81610 | 15.99 | 46.98 | 21 | 0.19 |
| HM88542/HM88510 | 31.75 | 73.03 | 29.37 | 0.63 |
| HM88547/HM88510 | 33.34 | 73.03 | 29.37 | 0.61 |
| HM88648/HM88610 | 35.72 | 72.23 | 25.4 | 0.47 |
| HM88649/HM88610 | 34.93 | 72.23 | 25.4 | 0.48 |
| HM89443/HM89410 | 33.34 | 76.2 | 29.37 | 0.66 |
| HM89443/HM89410 | 33.34 | 76.2 | 29.37 | 0.67 |
| HM89446/HM89410 | 34.93 | 76.2 | 29.37 | 0.64 |
| HM89448/HM89410 | 36.51 | 76.2 | 29.37 | 0.62 |
| HM89449/HM89410 | 36.51 | 76.2 | 29.37 | 0.62 |
| HM903245/HM903210 | 41.28 | 95.25 | 30.96 | 1 |
| HM903249/HM903210 | 44.45 | 95.25 | 30.96 | 0.95 |
| HM905843/HM905810 | 44.99 | 104.99 | 32.51 | 1.36 |
| HM911244/HM911210 | 59.99 | 130.18 | 34.1 | 1.98 |
| HM911244/HM911216 | 59.99 | 134.98 | 33.45 | 2.09 |
| HM911245/HM911210 | 60.33 | 130.18 | 36.51 | 2.07 |
| J15585/15520 | 28 | 57.15 | 17.46 | 0.21 |
| JF5049/JF5010(T2ED050) | 50 | 100 | 36 | 1.29 |
| JH211749/JH211710 | 65 | 120 | 39 | 1.8 |
| JHM318448/JHM318410 | 90 | 155 | 44 | 3.3 |
| JHM516849/JHM516810 | 85 | 140 | 39 | 2.19 |
| JHM522649/JHM522610 | 110 | 180 | 47 | 4.54 |
| JHM720249/JHM720210 | 100 | 160 | 41 | 3 |
| JHM807045/JHM807012 | 50 | 105 | 37 | 1.53 |
| JHM88540/JHM88513 | 30 | 72 | 29.37 | 0.61 |
| JL26749F/JL26710 | 32 | 53 | 14.5 | 0.12 |
| JL68145/JL68111Z | 35 | 60 | 15.88 | 0.18 |
| JL69345/JL69310Z | 38 | 63 | 17 | 0.22 |
| JL69349/JL69310 | 38 | 63 | 17 | 0.21 |
| JL819349/JL819310 | 95 | 135 | 20 | 0.83 |
| JLM104945/JLM104910 | 50 | 82 | 21.5 | 0.41 |
| JLM104946/JLM104910 | 50 | 82 | 21.5 | 0.43 |
| JLM104948/JLM104910 | 50 | 82 | 21.5 | 0.41 |
| JLM104948/LM104911 | 50 | 82.55 | 21.5 | 0.42 |
| JLM506849/JLM506810 | 55 | 90 | 23 | 0.53 |
| JLM506849A/JLM506811 | 55 | 90 | 25 | 0.58 |
| JLM508748/JLM508710 | 60 | 95 | 24 | 0.6 |
| JLM704649/JLM704610 | 50 | 84 | 22 | 0.46 |
| JLM710949C/JLM710910 | 65 | 105 | 24 | 0.74 |
| JLM714149/JLM714110 | 75 | 115 | 25 | 0.85 |
| JLM813049/JLM813010 | 70 | 110 | 26 | 0.89 |
| JM205149/JM205110 | 50 | 90 | 28 | 0.72 |

INCH

| Bearings No | Main Dimension (mm) | | | Weight (kgs) |
|--------------------|---------------------|----------------------|-----------------|--------------|
| | d (Bore diameter) | D (Outside diameter) | T (Total width) | |
| JM207049/JM207010 | 55 | 95 | 29 | 0.82 |
| JM207049A/JM207010 | 55 | 95 | 29 | 0.79 |
| JM511945/3920 | 65 | 112.71 | 29.02 | 1.18 |
| JM511945/JM511910 | 65 | 110 | 28 | 1.07 |
| JM511946/JM511910 | 65 | 110 | 28 | 1.05 |
| JM515649/JM515610 | 80 | 130 | 35 | 1.69 |
| JM612949/JM612910 | 70 | 115 | 29 | 1.09 |
| JM714249/JM714210 | 75 | 120 | 31 | 1.25 |
| JM716649/JM716610 | 85 | 130 | 30 | 1.34 |
| JM718149/JM718110 | 90 | 145 | 35 | 2.12 |
| JM718149A/JM718110 | 90 | 145 | 35 | 2.08 |
| JM719149/JM719113 | 95 | 150 | 35 | 2.17 |
| JM720249/JM720210 | 100 | 155 | 36 | 2.31 |
| JM822049/JM822010 | 110 | 165 | 35 | 2.46 |
| L319249/L319210 | 95.25 | 130.18 | 20.64 | 0.79 |
| L44643/L44610 | 25.4 | 50.29 | 14.22 | 0.12 |
| L44643RS/L44610 | 25.4 | 50.29 | 14.22 | 0.13 |
| L44645/L44613 | 25.99 | 51.99 | 15.01 | 0.15 |
| L44649/L44610 | 26.99 | 50.29 | 14.22 | 0.12 |
| L45449/L45410 | 29 | 50.29 | 14.22 | 0.11 |
| L623149/L623110 | 114.3 | 152.4 | 21.43 | 1.03 |
| L68149/L68110 | 34.99 | 59.13 | 15.88 | 0.17 |
| L68149/L68111 | 34.99 | 59.98 | 15.88 | 0.18 |
| L68149/L68116 | 34.99 | 65.09 | 15.88 | 0.21 |
| L68149R/L68110 | 34.99 | 59.13 | 15.88 | 0.17 |
| L713049/L713010 | 69.85 | 101.6 | 19.05 | 0.5 |
| L814749/L814710 | 76.2 | 109.54 | 19.05 | 0.56 |
| L910349/L910310 | 63.49 | 94.98 | 17 | 0.36 |
| LL217849/LL217810 | 88.9 | 121.44 | 15.08 | 0.48 |
| LL319349/LL319310 | 95.25 | 128.59 | 15.88 | 0.53 |
| LM102949/LM102910 | 45.24 | 73.43 | 19.56 | 0.3 |
| LM104949/JLM104910 | 50.8 | 82 | 21.98 | 0.41 |
| LM104949/LM104911 | 50.8 | 82.55 | 21.98 | 0.41 |
| LM104949/LM104912 | 50.8 | 82.93 | 21.59 | 0.42 |
| LM11749/LM11710 | 17.46 | 39.88 | 13.84 | 0.08 |
| LM11949/LM11910 | 19.05 | 45.24 | 15.49 | 0.12 |
| LM11949RS/LM11910 | 19.05 | 45.24 | 15.49 | 0.13 |
| LM12748/LM12710 | 21.43 | 45.24 | 15.49 | 0.13 |
| LM12749/LM12710 | 21.99 | 45.24 | 15.49 | 0.12 |
| LM12749/LM12711 | 21.99 | 45.97 | 15.49 | 0.12 |
| LM29748/LM29710 | 38.1 | 65.09 | 18.03 | 0.23 |
| LM29748/LM29711 | 38.1 | 65.09 | 19.81 | 0.23 |
| LM29749/LM29710 | 38.1 | 65.09 | 18.03 | 0.23 |

INCH

| Bearings No | Main Dimension (mm) | | | Weight (kgs) |
|--------------------|---------------------|----------------------|-----------------|--------------|
| | d (Bore diameter) | D (Outside diameter) | T (Total width) | |
| LM29749/LM29711 | 38.1 | 65.09 | 19.81 | 0.23 |
| LM300849/LM300811 | 40.99 | 67.98 | 17.5 | 0.24 |
| LM330448/LM330410 | 152.4 | 203.2 | 41.28 | 3.48 |
| LM48548/LM48510 | 34.93 | 65.09 | 18.03 | 0.26 |
| LM48548/LM48514XP | 34.93 | 68.26 | 18.03 | 0.28 |
| LM48548RS/LM48510 | 34.93 | 65.09 | 18.03 | 0.28 |
| LM501349/LM501310 | 41.28 | 73.43 | 19.56 | 0.33 |
| LM501349/LM501314 | 41.28 | 73.43 | 21.43 | 0.35 |
| LM503349/LM503310 | 45.99 | 74.98 | 18 | 0.3 |
| LM503349A/LM503310 | 45.99 | 74.98 | 18 | 0.29 |
| LM603049/LM603011 | 45.24 | 77.79 | 19.84 | 0.36 |
| LM603049/LM603012 | 45.24 | 77.79 | 19.84 | 0.38 |
| LM603049/LM603014 | 45.24 | 79.98 | 19.84 | 0.39 |
| LM67048/LM67010 | 31.75 | 59.13 | 15.88 | 0.18 |
| LM67048/LM67014 | 31.75 | 61.99 | 15.88 | 0.18 |
| LM67048/LM67014X | 31.75 | 61.99 | 15.88 | 0.2 |
| LM67048RS/LM67010 | 31.75 | 59.13 | 15.88 | 0.19 |
| LM67049A/LM67010 | 31.75 | 59.13 | 15.88 | 0.18 |
| LM67049A/LM67014 | 31.75 | 61.99 | 15.88 | 0.21 |
| LM78349/LM78310A | 34.99 | 61.98 | 16.7 | 0.21 |
| LM806649/LM806610 | 53.98 | 88.9 | 19.05 | 0.29 |
| LM814849/LM814810 | 77.79 | 117.48 | 25.4 | 0.9 |
| M12649/M12610 | 21.43 | 50.01 | 17.53 | 0.17 |
| M12649F/M12610F | 21.43 | 50.01 | 17.03 | 0.15 |
| M802048/M802011 | 41.28 | 82.55 | 26.54 | 0.61 |
| M804048/M804010 | 47.63 | 88.9 | 25.4 | 0.65 |
| M804049/M804010 | 47.63 | 88.9 | 25.4 | 0.66 |
| M84249/M84210 | 25.4 | 59.53 | 23.37 | 0.34 |
| M84548/M84510 | 25.4 | 57.15 | 19.43 | 0.23 |
| M86647/M86610 | 28.58 | 64.29 | 21.43 | 0.34 |
| M86648A/M86610 | 30.96 | 64.29 | 21.43 | 0.32 |
| M86649/M86610 | 30.16 | 64.29 | 21.43 | 0.33 |
| M88043/M88010 | 30.16 | 68.26 | 22.23 | 0.4 |
| M88043/M88011 | 30.16 | 68.26 | 22.23 | 0.4 |
| M88046/M88010 | 31.75 | 68.26 | 22.23 | 0.39 |
| M88048/M88010 | 33.34 | 68.26 | 22.23 | 0.37 |

Официальный импортер VKE Group - Базовая техника

sales@baztehshop.ru

8 (812) 740-12-27

